

#0 SEIKO SHUTTER

Type 734 C

735 C

127-150 736 PRESS 100 2.8 100 3.5

737 C

760 PRESS 75mm

731 250 f5

SERVICE MANUAL AND PARTS CATALOG



MAMIYA AMERICA CORPORATION

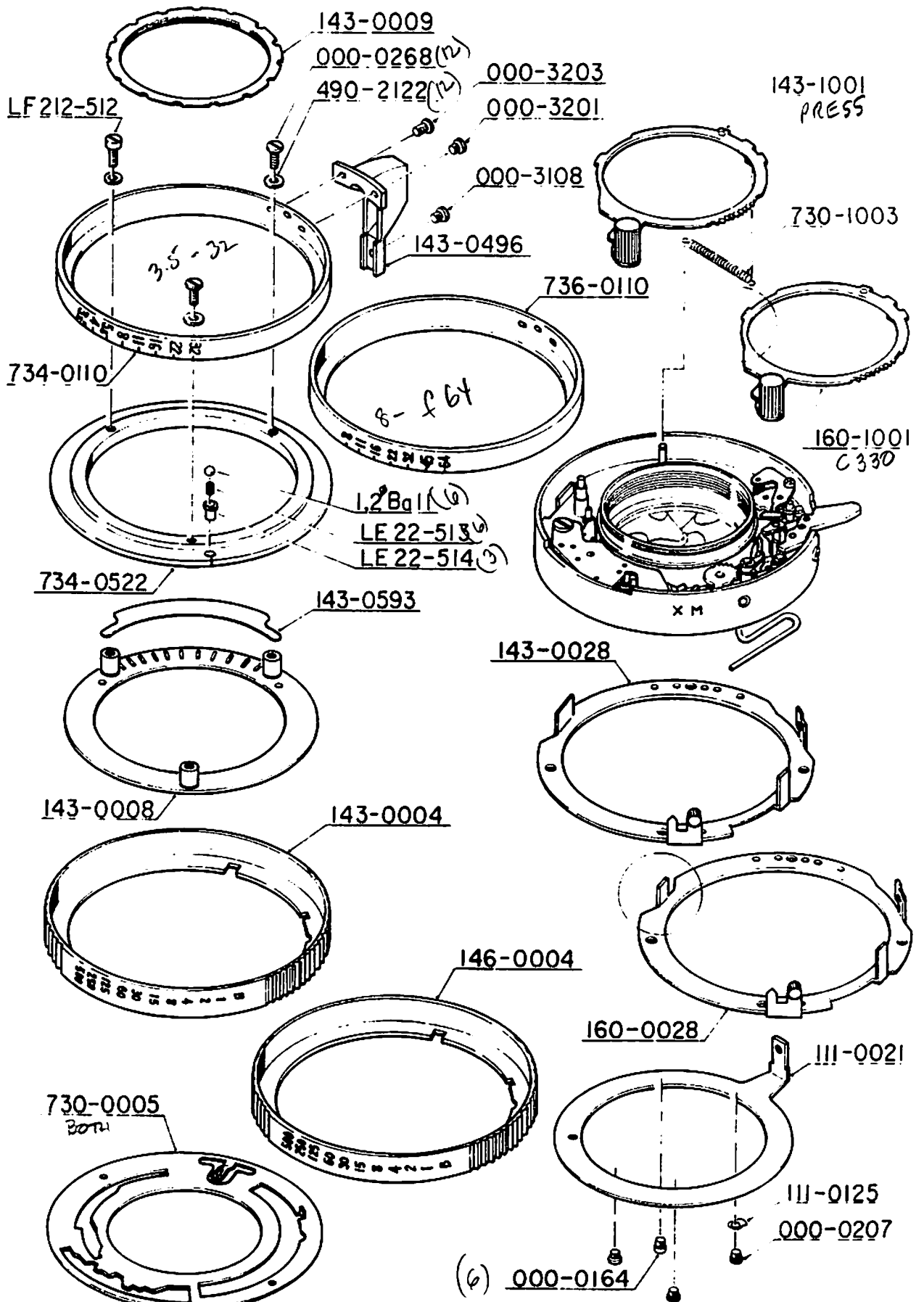
8 Westchester Plaza, Elmsford, NY 10523 • 914-347-3300

Mamiya
CAMERA CO. LTD.

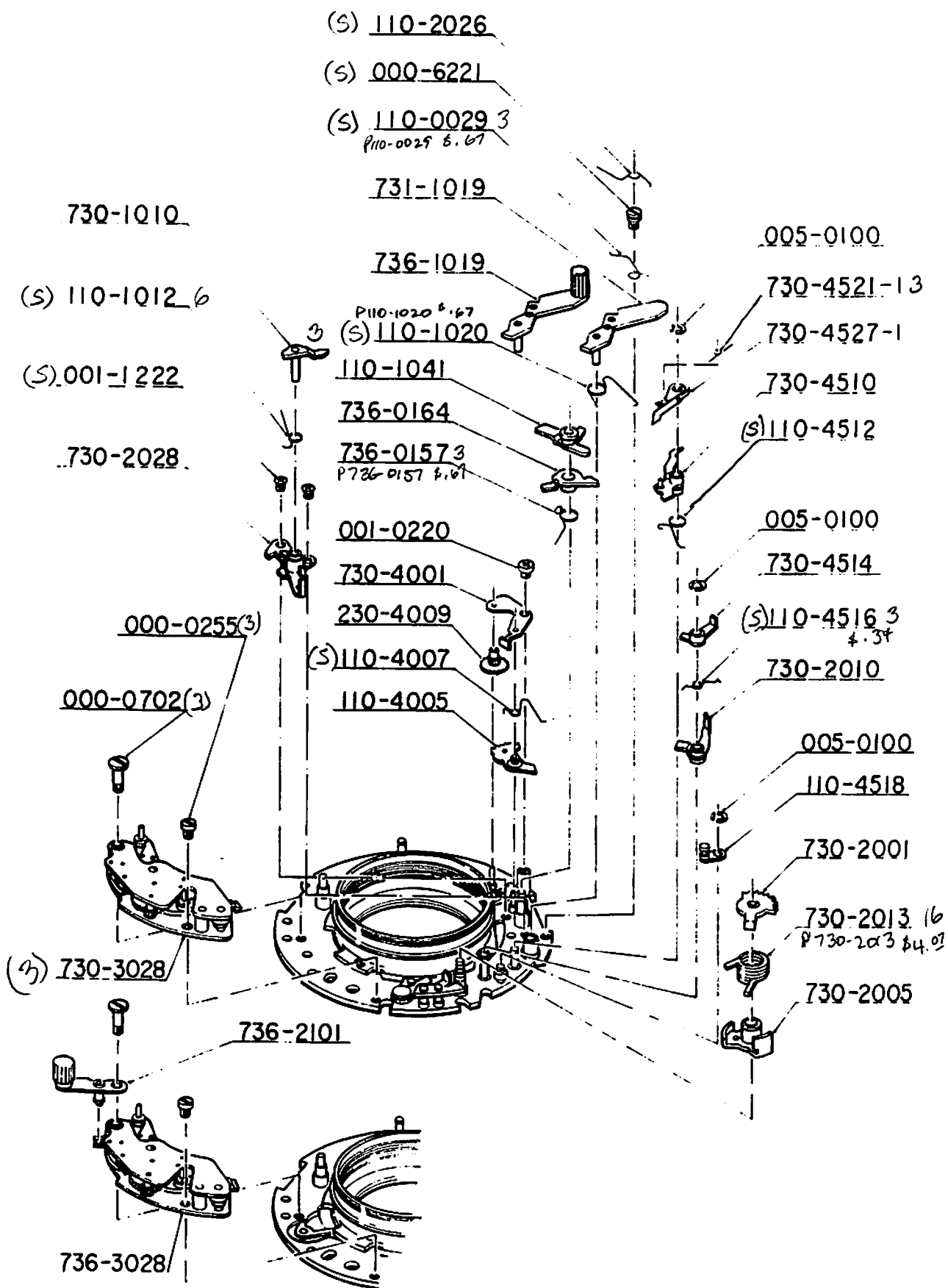
TOKYO, JAPAN

P.C. 74-March-#0

EXPLODED VIEWS

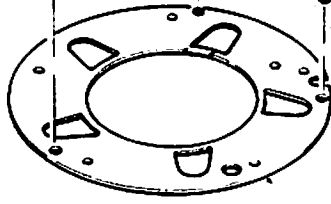


(S) = Same as S type



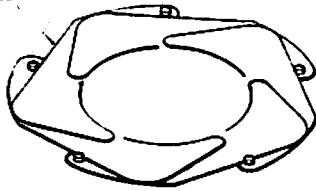
000-0210

001-1222



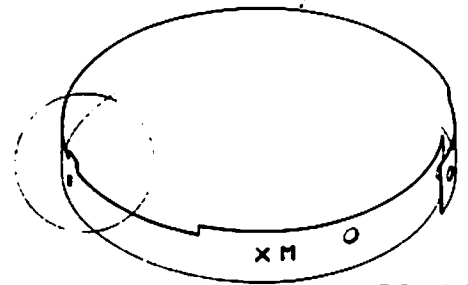
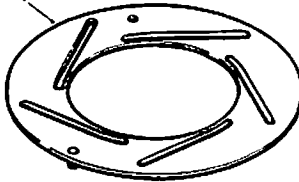
110-0020

110-0017



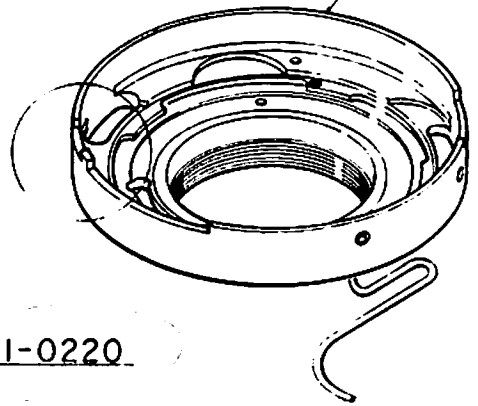
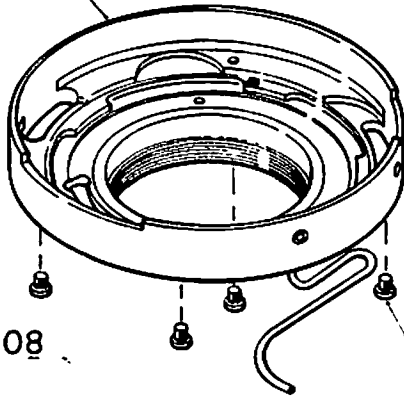
736-0608

110-0015



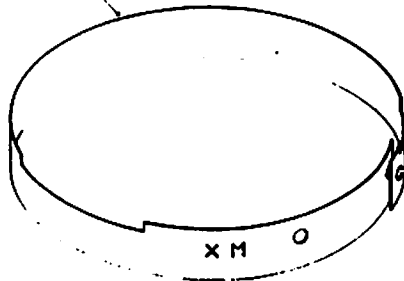
143-0003

736-0003



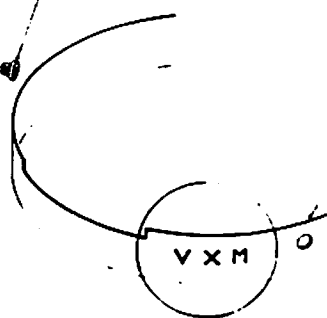
143-0608

001-0220

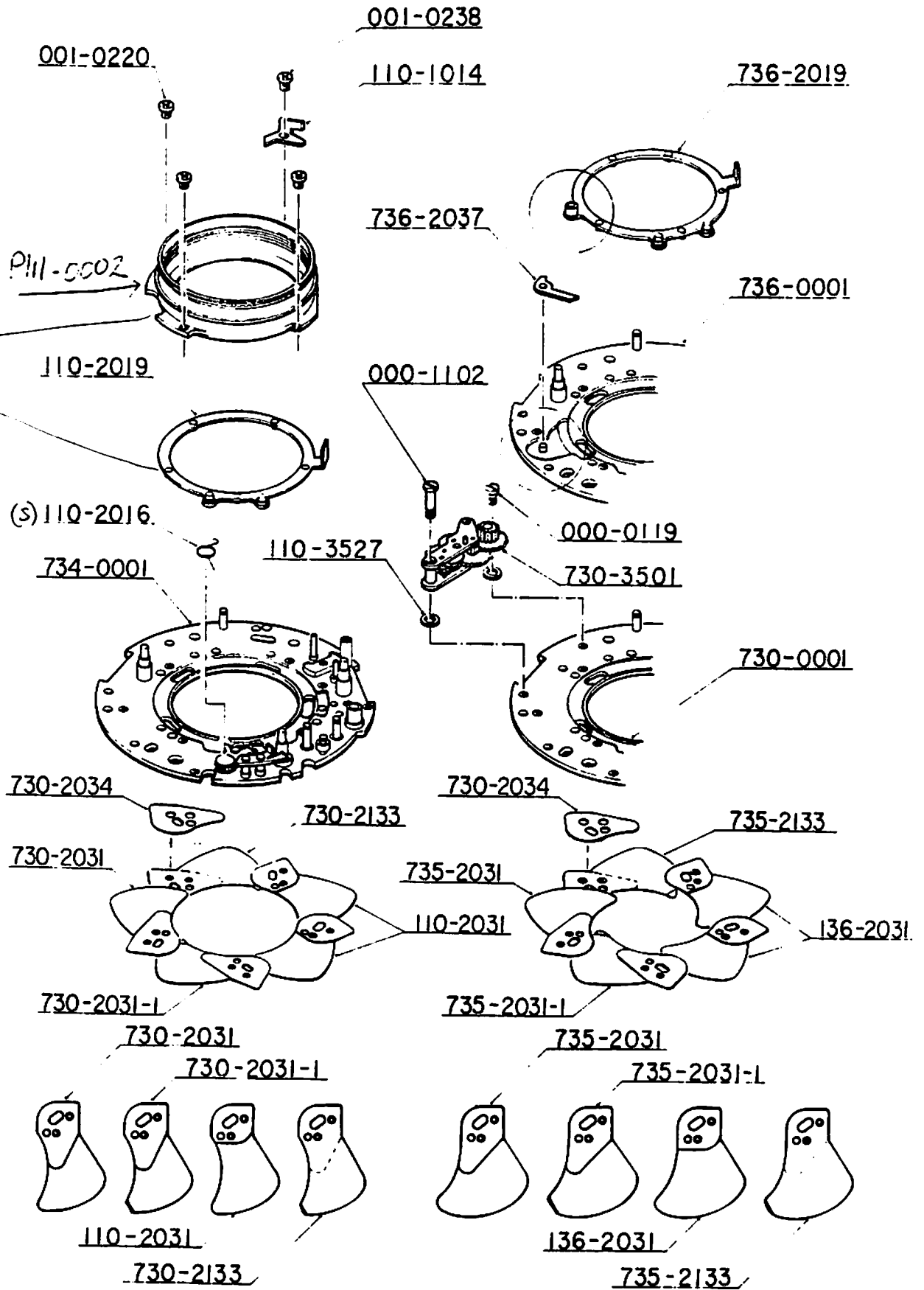


001-0209

160-0608



DO NOT REMOVE TO GET TO BLADES



PARTS LIST

PARTS LIST

METHOD OF REQUESTING SPARE PARTS FOR REPAIR USE

When ordering spare parts for repair purposes, mark the request in the following manner after referring to our parts lists.

Spare parts are divided as follows:

Not considered usable for repairing x
Can be supplied o

Parts marked with " * " in the column of term of sale will be charged,

NOTE: When ordering spare parts, always type the complete code and numbers in the Parts No. column of the appropriate parts lists.

#0 SEIKO SLV SHUTTER Common Parts List

(Type 734. 735. 736. 737. 760.)



Parts Code No.	Description	Pcs.	Ref. Page	Term of Sale
111-0002	Lens tube	1	4	x
730-0005	Speed setting disk	1	1	0
143-0008	Front ring	1	1	0
110-0015	Diaphragm blade operating ring	1	3	0
110-0017	Diaphragm blade	5	3	0
110-0020	Blade supporting plate	1	3	0
111-0021	Aperture operation ring	1	1	0
110-0029	Spring	1	2	0
111-0125	Friction washer	1	1	0
143-0496	Aperture control knob	1	1	0
143-0593	Cover plate	1	1	0
734-0522	Index mark ring	1	1	0
490-2122	Washer	3	1	0
001-0220	Screw	3	4	0
001-0238	Screw " B "	1	4	0
001-0220	Screw	4	3	0
001-0209	Screw	1	3	0
001-1222	Screw	2	3	0
000-0210	Screw	1	3	0
000-0207	Screw	3	1	0
000-0164	Locating pin	1	1	0
000-3108	Screw	1	1	0
000-3201	Screw " B "	1	1	0
000-3203	Screw " C "	1	1	0
000-0268	Screw	2	1	0
730-1003	Spring	1	1	0
110-1014	Cocking ring stopper	1	4	0
730-1010	Locking lever	1	2	0
110-1012	Spring	1	2	0
110-1020	Spring	1	2	0
110-1041	Lock lever	1	2	0

<i>Parts Code No.</i>	<i>Description</i>	<i>Pcs.</i>	<i>Ref. Page</i>	<i>Term of Sale</i>
730-2001	<i>Cocking pinion</i>	1	2	0
730-2005	<i>Driving cam</i>	1	2	0
730-2013	<i>Main drive spring</i>	1	2	0
730-2034	<i>Sub blade</i>	1	4	0
110-2016	<i>Spring</i>	1	4	0
730-2010	<i>Lathing lever</i>	1	2	0
110-2026	<i>Spring</i>	1	2	0
000-6221	<i>Screw</i>	1	2	0
000-0255	<i>Screw " B "</i>	1	2	0
000-0702	<i>Screw</i>	1	2	0
730-4001	<i>SG upper plate</i>	1	2	0
110-4005	<i>SG 1st gear</i>	1	2	0
110-4007	<i>Spring</i>	1	2	0
230-4009	<i>SG star wheel</i>	1	2	0
001-0220	<i>Screw</i>	1	2	0
730-4527-1	<i>Contact lever</i>	1	2	0
110-4518	<i>X contact lever</i>	1	2	0
730-4521-1	<i>Spring</i>	1	2	0
730-4510	<i>M contact lever</i>	1	2	0
110-4512	<i>Spring</i>	1	2	0
730-4514	<i>Latching lever</i>	1	2	0
110-4516	<i>Spring</i>	1	2	0
005-0100	<i>E retaining ring</i>	3	2	0
730-2128	<i>Bulb lever</i>	1	2	0
001-1222	<i>Screw</i>	2	2	0

#0 SEIKO SLV SHUTTER Exclusive Use Parts List

(Type 734 735 736 737 760)

Parts Code No. (Shutter Type)					Description	Pcs.	Ref. Page	Term of Sale
734	735	736	737	760				
734-0001	734-0001	736-0001	730-0001	736-0001	Base plate	1	4	0
143-0003	143-0003	736-0003	143-0003	736-0003	Shutter casing	1	3	0
143-0004	143-0004	146-0004	143-0004	146-0004	Shutter speed ring	1	1	0
143-0028	143-0028	143-0028	160-0028	143-0028	MX. Setting ring	1	1	0
143-0608	143-0608	736-0608	160-0608	736-0608	Cover plate for casing	1	3	0
143-1001	143-1001	143-1001	160-1001	143-1001	Cocking ring	1	1	0
731-1019	731-1019	736-1019	731-1019	736-1019	Release lever	1	2	0
110-2019	110-2019	736-2019	110-2019	736-2019	Blade actuating ring	1	4	0
730-2031-1	735-2031-1	730-2031-1	730-2031-1	735-2031-1	Shutter blade	1	4	0
730-2031	735-2031	730-2031	730-2031	735-2031	Shutter blade	1	4	0
110-2031	136-2031	110-2031	110-2031	136-2031	Shutter blade	2	4	0
730-2133	735-2133	730-2133	730-2133	735-2133	Shutter blade " B "	1	4	0
-	-	736-2101	-	736-2101	Press focus lever	1	2	0
-	-	736-2037	-	736-2037	Opening lever	1	4	0
730-3028	730-3028	736-3028	730-3028	736-3028	Speed regulating governor	1	2	0
-	-	-	730-3501	-	Self-timer governor	1	4	0
-	-	-	110-3527	-	Washer	2	4	0
-	-	-	000-1102	-	Screw	1	4	0
-	-	-	000-0119	-	Screw	1	4	0
734-0110	735-0110	736-0110	737-0110	760-0110	Aperture ring	1	1	0
As to details, please refer to Repair manual. page 5.								
-	-	736-0164	-	736-0164	Locking lever " B "	1	2	0
-	-	736-0157	-	736-0157	Spring	1	2	0

////////////////////////////////////

REPAIR MANUAL

Moreover, the type of the shutter has been changed from
353R Type to 730 Type.

Speed regulating governor and Shutter setting disc vary with the type of the shutter used.

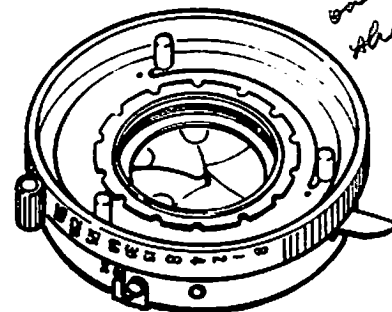
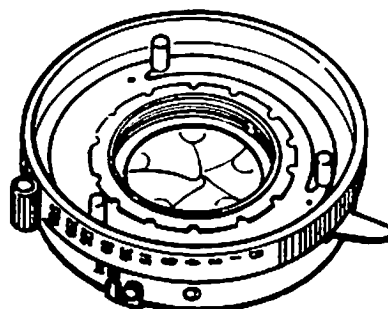
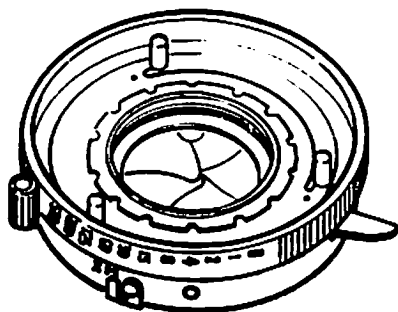
Professional "C" Series Shutter

353R Type

730 (Tentative)

730 Type

No lens held open service. 3 loops on shutter



110-3000

110-3000

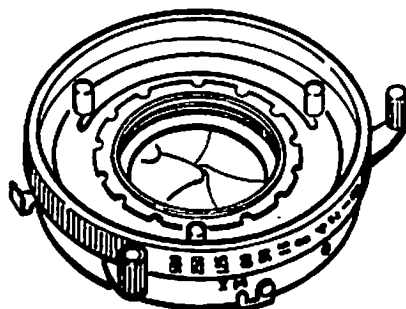
730-3028



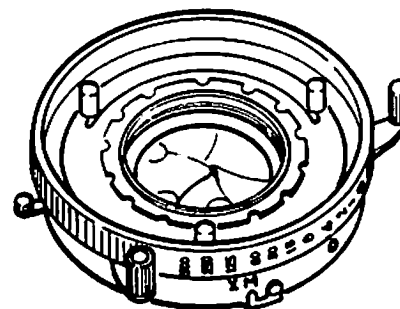
Press Series Shutter

353R Type

736 Type

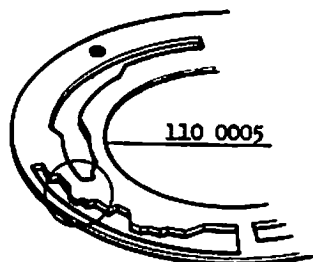


Same as Tentative

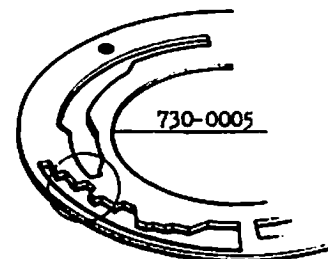


110-3000 N/A

736-3028



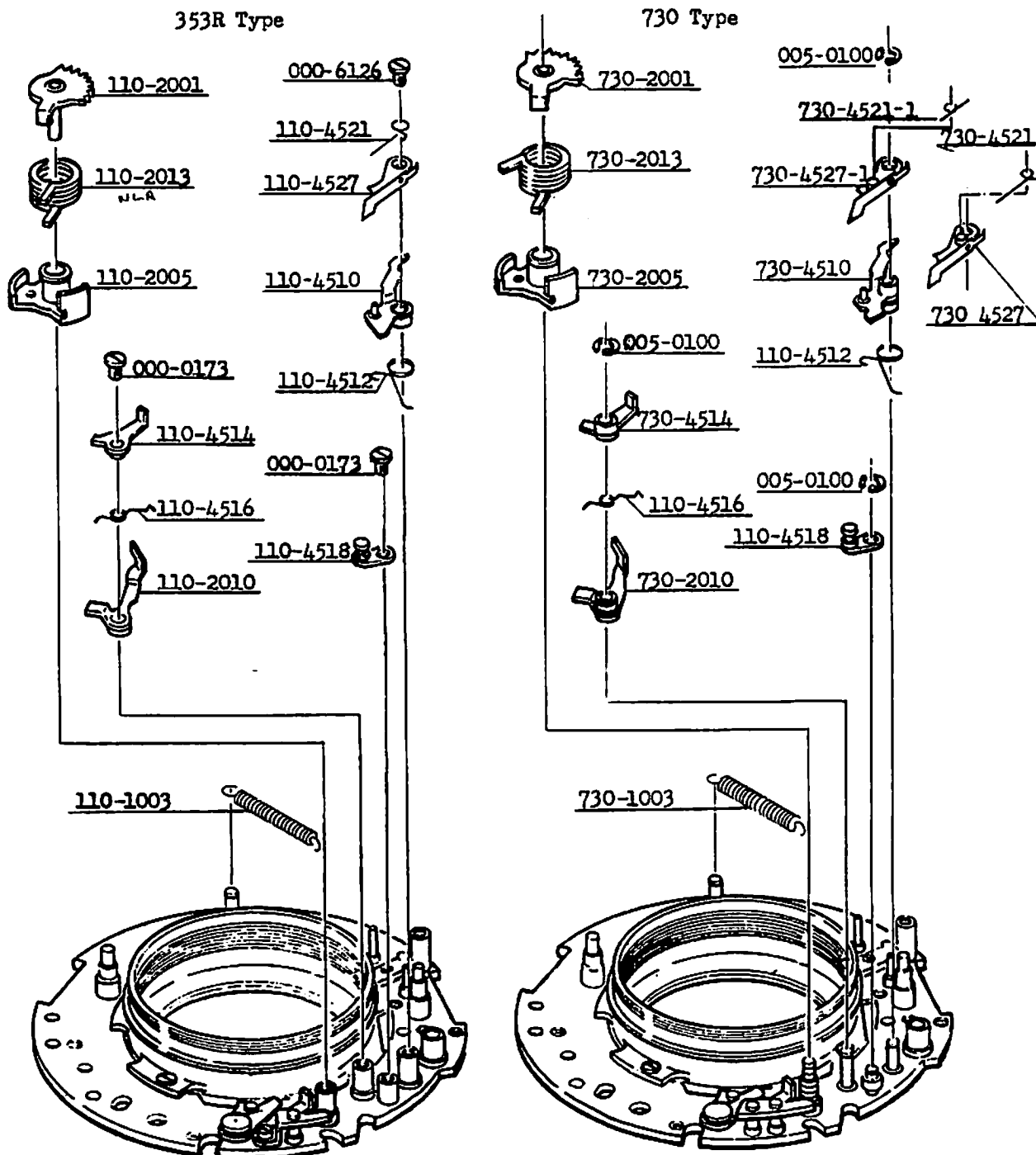
Same as Left



To use Main drive spring (730-2013) of 730 type for 730 (Tentative)

Parts have been changed as shown below due to change of the type of the shutter.

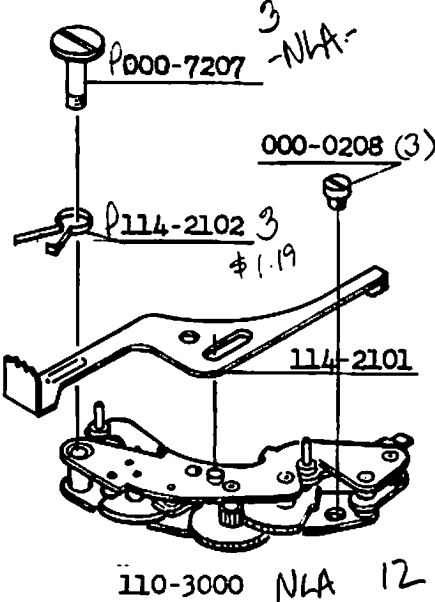
- NOTE: 1. Almost all parts of 353R Type can not be interchanged with those of 730 Type.
2. Wire diameter of cocking lever spring between 110-1003 with 0.27 ϕ and 730-1003 with 0.25 ϕ can not be visually judged. So judge it from the type of Speed regulating governor use.



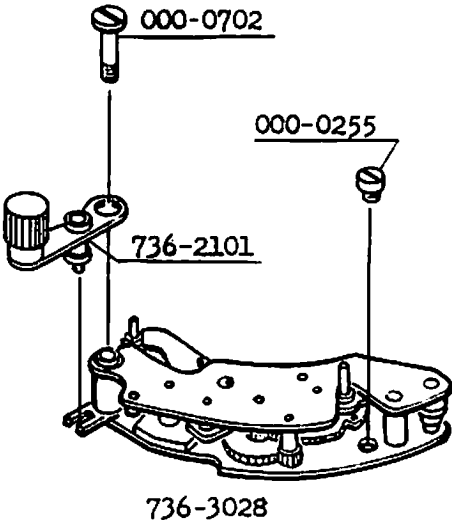
3. To combine 730-4527-1 and 730-4521-1 or 730-4527 and 730-4521 when replacing. -2-

Mechanical improvement of Press focus (P.F.) lever

353R Type



736 Type



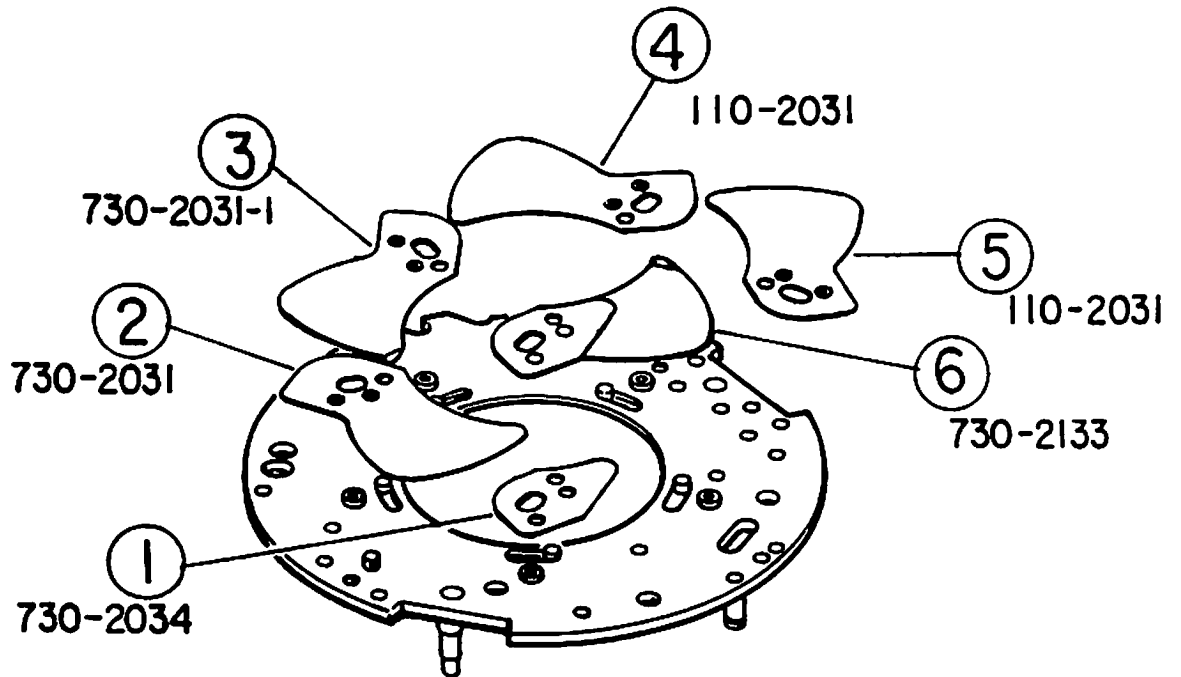
How to replace the shutter blade

There are two types of the shutter blade as follows.

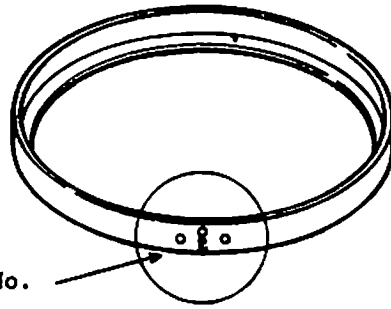
Type	Parts No.	Description	Thickness (mm)	Quantity
730	110-2031	Shutter blade	0.05	2
	730-2031	Shutter blade	0.04	1
	730-2031-1	Shutter blade	0.04	1
	730-2133	Shutter blade B	0.04	1
	730-2034	Sub blade	0.07	1
353R	110-2031	Shutter blade A	0.05	4
	110-2133	Shutter blade B	0.05	1
	110-2162	Sub blade	0.05	1

Please note that parts except 110-2031 Shutter blade can not be interchanged.

Assemble the shutter blades in numerical order as shown below.

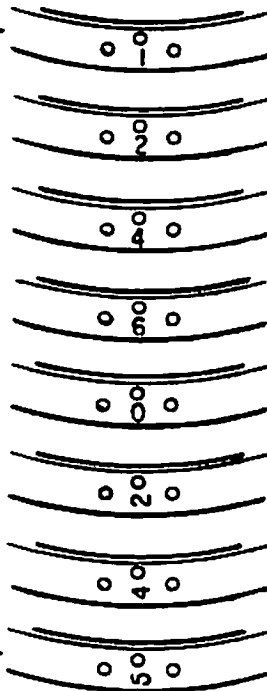


The list of shutter aperture ring on Mamiya professional C Series and Mamiya Press Series

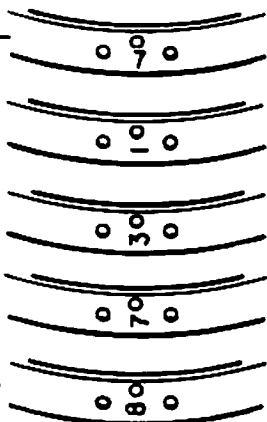


Discernment No.

Mamiya professional "C" series



Mamiya Press series



Lens model	Parts No.	Aperture ring classification
105mm F3.5	734-0110	# 1
80mm F2.8	734-0110	# 2
180mm F4.5	734-0110	# 4
65mm F3.5	735-0110	# 6
135mm F4.5	734-0110	# 10
55mm F4.5	735-0110	# 12
250mm F6.3	734-0110	# 14
105mm F3.5 DS. D	737-0110	# 15
150mm F5.6	736-0110	# 7
100mm F2.8	736-0110	# 11
100mm F3.5	736-0110	# 13
127mm F4.7	736-0110	# 17
75mm F5.6	760-0110	# 18

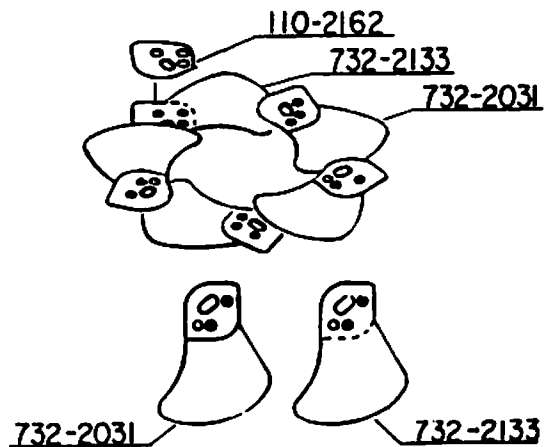
List of shutter type used

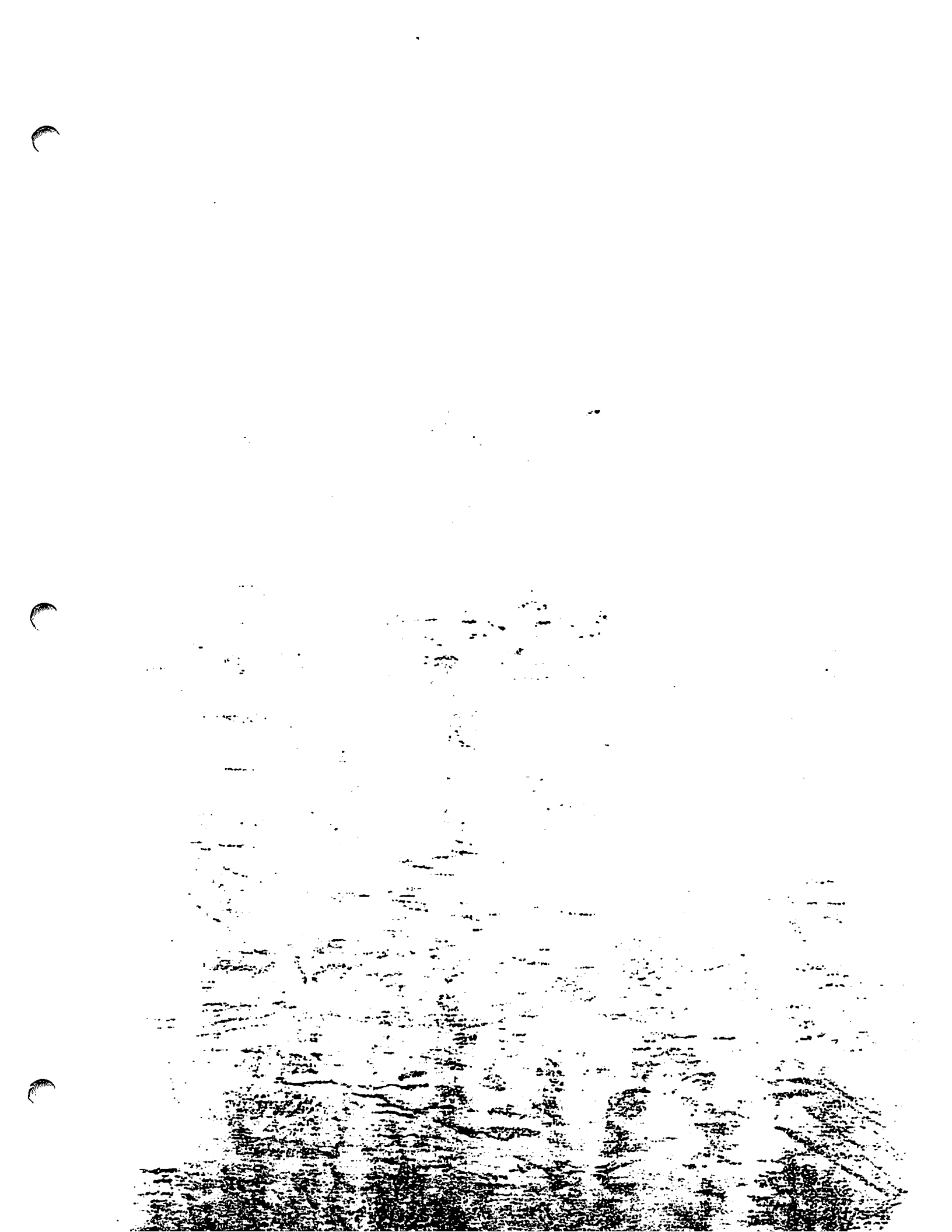
Professional "C" Series

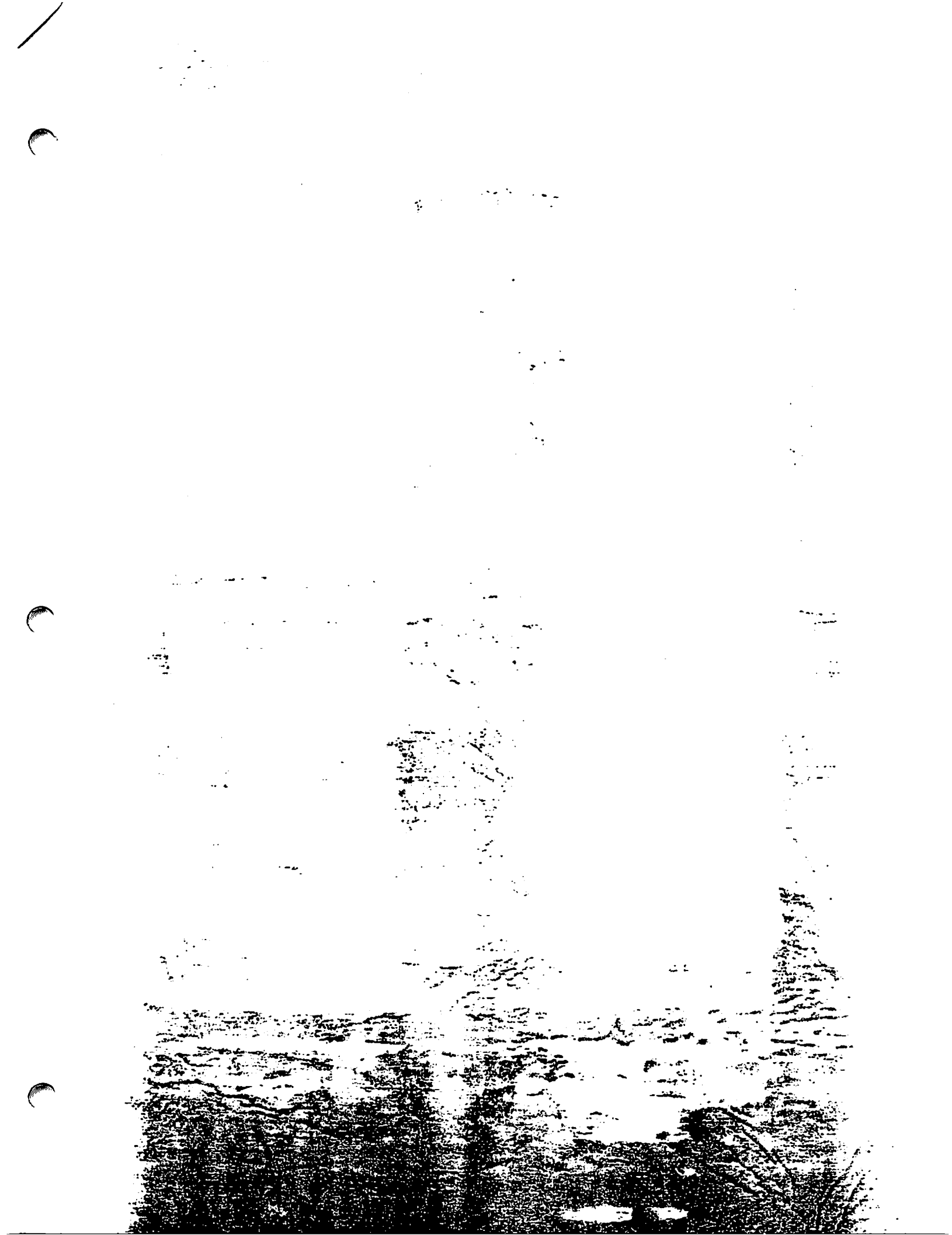
<u>Lens model</u>	<u>Shutter 730 Type</u>	<u>Shutter 353R Type</u>	
55mm F4.5	735	6	Middle caliber
65mm F3.5	735	6	Middle caliber
80mm F2.8	734	5	Large caliber
105mm F3.5 D	734	5	Large caliber
105mm F3.5 DS	787	9 with Selftimer	Large caliber
135mm F4.5	734	5	Large caliber
180mm F4.5 S	734	5	Large caliber
250mm F6.3	734	5	Large caliber

Press Series

50mm F6.3	732A	2A	Small caliber
65mm F6.3	732	2	Small caliber
75mm F5.6	760	- with P.F lever	Middle caliber
100mm F3.5	736	- with P.F lever	Large caliber
100mm F2.8	736B	- with P.F lever	Large caliber
127mm F4.7	736	- with P.F lever	Large caliber
150mm F5.6	736	- with P.F lever	Large caliber
250mm F5	731A	1A	Large caliber









Mamiya
CAMERA CO., LTD.