

RZ67

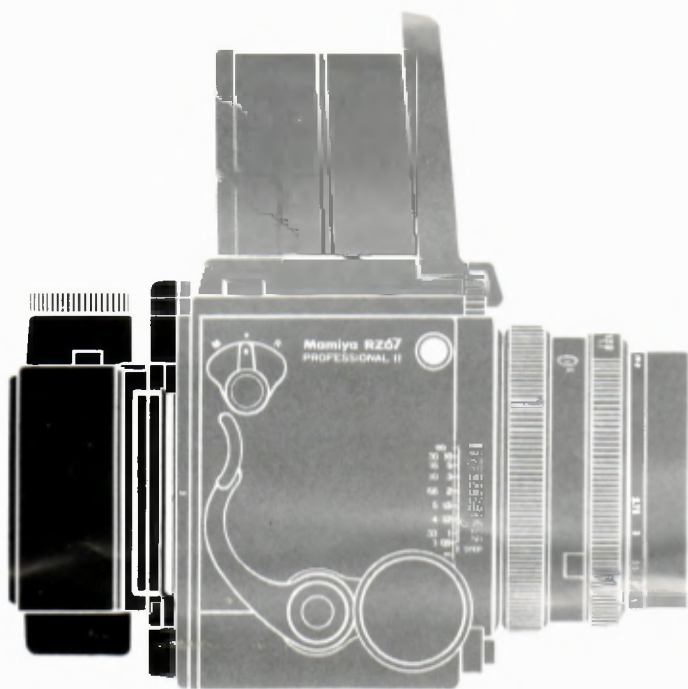
Mamiya

Roll Film Holder

HA703 for 120

HA702 for 220

6x4.5 for 120



Instructions

120 Roll Film Holder / 220 Roll Film Holder

Types and Specifications

120 Roll Film Holder HA703

Film type : 120 roll film

Negative size : 6x7cm

Number of exposures: 10

Film advance system : The film is advanced with a single stroke of the cocking lever. It can also be advanced with the film advance knob on the film holder.

Additional features : Built-in multiple exposure prevention; Automatic film wind-stop release; Exposure counter with automatic return (exposure counter in vertical /horizontal format); Dark slide lock and release; Dark slide slot; Built-in film speed dial.

220 Roll Film Holder HB702

Film type : 220 roll film

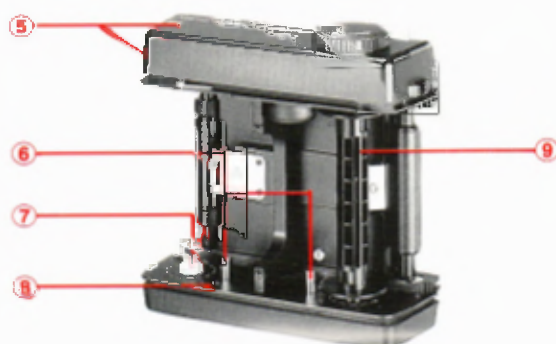
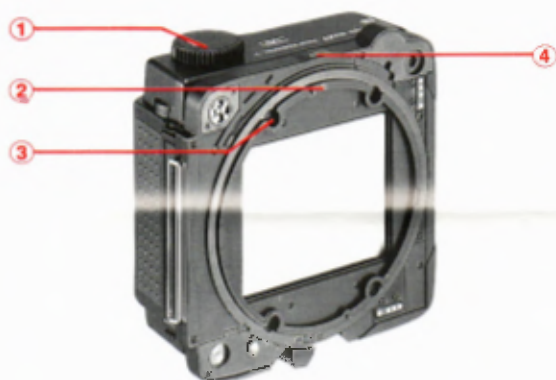
Negative size : 6x7cm

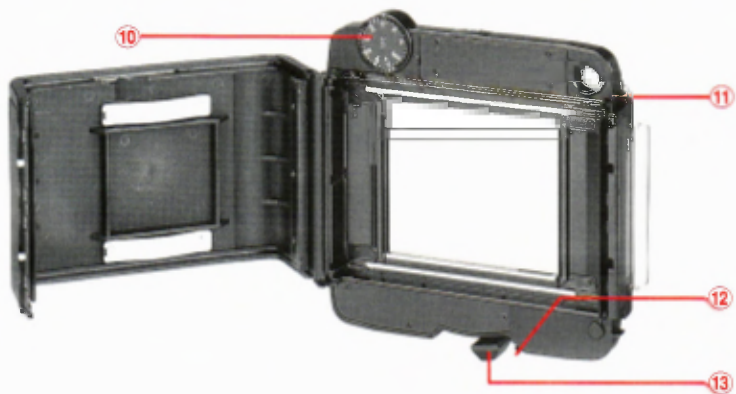
Number of exposures: 20

Additional features : Same as 120 Roll Film Holder HA703.

Names of Parts (Common to All Roll Film Holders)

- | | |
|---|-------------------------|
| ① Film advance knob | ⑦ Film spool stud |
| ② Alignment mark | ⑧ Start mark |
| ③ Dark slide release pin | ⑨ Take-up spool |
| ④ Picture format mark
(vertical /horizontal) | ⑩ Film speed dial (ISO) |
| ⑤ Exposure counter | ⑪ Back cover latch |
| ⑥ Spool release pins | ⑫ Lock release lever |
| | ⑬ Holder lock lever |





Note:

Please refer to the instruction manual for the camera body when desiring to load film on the roll film holder, or mount/remove the roll film holder on/from the camera body.

Advancing the Film to the First Frame

1



1 Before attempting to advance the film to the first frame, set the R-M lever to its normal (central) position (□).

If the lever is set to 'M' (multiple exposure), the film cannot be advanced with the cocking lever.

2



2 The film can be advanced in either of two ways.

1. By winding the film advance knob on the roll film holder until it stops.

2. By pressing the cocking lever on the camera body several times until it stops. (The lens shutter will not be cocked unless the cocking lever is consecutively pressed until it stops.)

When the film is completely advanced in either way, the numeral '1' will appear in the exposure counter.

While advancing the film from 'S' (start) to 1 with the cocking lever, the shutter release is automatically locked until the film is fully advanced to the first frame.

The memo clip on the back cover can be used for holding the film box-top as a film reminder or for holding a piece of paper with pertinent information.

Taking Photographs

When the shutter is released, the film-wind stop is released, marking it possible to advance the film to the next exposure. After an exposure is made, the automatic multiple exposure prevention mechanism will make it impossible to release the shutter until the film is advanced.

After completing the last exposure, press the cocking lever several times until the film and backing paper are completely wound up onto the take-up spool. Instead of using the cocking lever, you can use the film advance knob on the roll film holder.

3

3 When desiring to process a roll of film that has been only partially exposed, first insert the dark slide and then remove the holder. Next, while holding in the pin in the center of the coupler (A), completely wind the film onto the take-up spool with the film advance knob. Instead of continuously holding in the coupler pin, you can push it in once after each frame if preferred.

Multiple Exposures

4

4 Set the R-M lever to "M" (multiple exposure). The lever can be moved to "M" either before or after releasing the shutter.

Press the cocking lever as far as it will go in order to cock the shutter and set the mirror. The film will not move at this time.

After completing your multiple exposure, immediately reset the R-M lever to its normal position (□). If this is not done, the shutter may later be released mistakenly, not only during the multiple exposure but also during an additional exposure.

Unloading the Film

5

5 Open the cover of the film holder and remove the film insert.

While holding down the right-hand spool release pin, remove the film, while making sure that the backing paper does not unroll or become loose.

To prepare for additional exposure, remove the empty spool from the film insert, and replace it on the right-hand side so that it will act as the new take-up spool.

When the back cover of the holder is opened, the exposure counter will automatically return to 'S' (start). If anything other than 'S' appears in the exposure counter, it indicates that there is film in the holder. To prevent the film being accidentally exposed to light, always check the exposure counter display before opening the back cover of the holder.

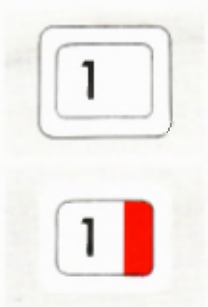
6x4.5 120 Roll Film Holder RZ

Specification

6x4.5 120 Roll Film Holder RZ

- Film Type : 120 roll film.
Negative size : 6x4.5cm (with special view finder mask)
Number of exposure : 15
Additional features : Same as 120 Roll Film Holder HA703.
Exposure counter : 1

1

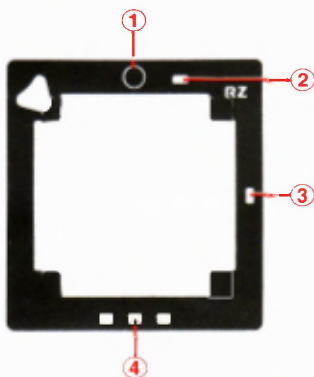


1 When the film is completely advanced to the first frame, the numeral '1' will appear in the exposure counter and the red 'film-unadvanced' warning will disappear. From the second frame, when the shutter is released, the red mark indicating that an exposure is over, appears in the exposure counter.

Using the Viewfinder Mask for 6x4.5 Format

2

6x4.5 Viewfinder Mask



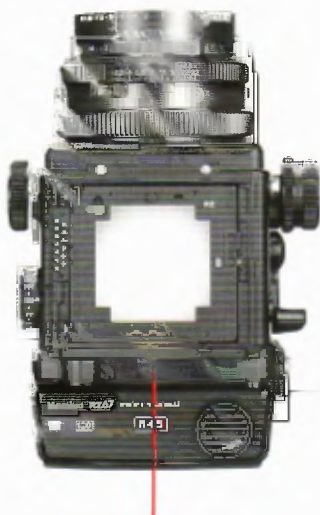
2 When choosing the 6x4.5 format, mount the special viewfinder mask (for 6x4.5 format) attached to the film holder on the focusing screen.

- ① Removing knob
- ② Horizontal format mark
- ③ Vertical format
- ④ Monitor lamp window



3 Remove the viewfinder on the camera body.

While bending the viewfinder mask (for 6x4.5), insert it below the three screws on the focusing screen. Mount the viewfinder back into position.



Vertical screen mask



Horizonetal screen mask