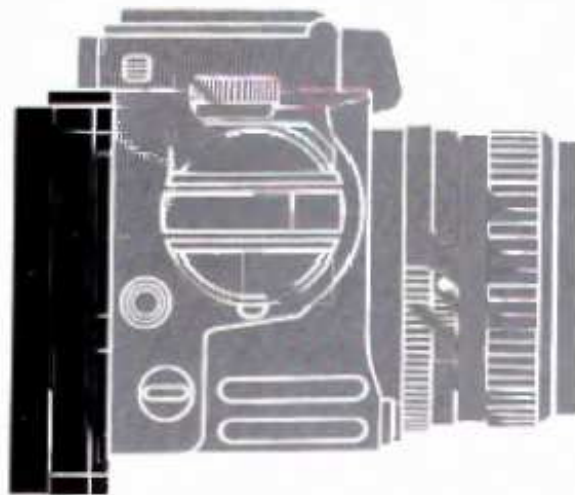


Mamiya 645

Polaroid Pack Film Holder

[HP401]



English Instructions

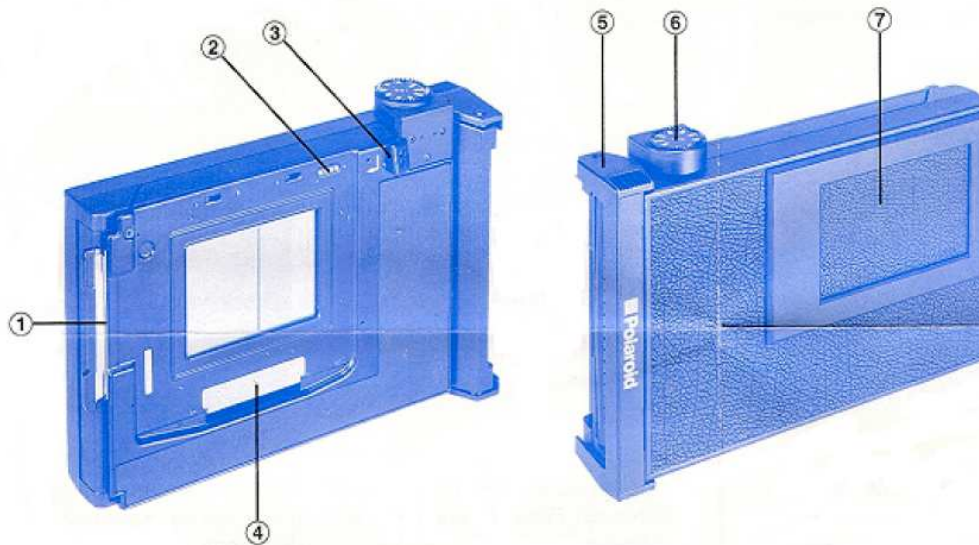
English Introduction

This Polaroid Pack Film Holder allows you to use various types of film in the Polaroid Pack Film 100 and 600 series.

Read carefully the instruction sheet packed with your film. Those instructions may change from time to time, so it's a good idea to review them occasionally.

Name of parts

- ① Dark Slide
- ② Electrical Contact
- ③ Lock Release Lever
- ④ Attaching Clip
- ⑤ Back Cover Latch
- ⑥ Film Speed Dial
Set this dial to the film speed of film used.
- ⑦ Dark Slide Storage Slot



Attaching and removing Polaroid Pack Film Holder

1. Position the Attaching Clip (A) of the holder properly to the holder mounting Bracket (B) of the body.

Press the upper part of the holder together with the body until clicks.

2. Insert the Dark Slide between both white lines. To remove the holder, push the Lock/Release Lever in the direction of the arrow.

● Be sure to insert the dark slide before removing the holder, if it is not inserted, the safety lock will prevent it from being removed from the body.

● When photographing, store the

darkslide in the darkslide storage slot.

● The Dark Slide can be detached when the Polaroid Pack Film Holder being attached to the camerabody. The green line on the Dark Slide indicates the position to which the Dark Slide can be inserted into the Holder without blocking the image.

● Always pay your attention not to contaminate the electrical contacts on the Roll Film Holder.

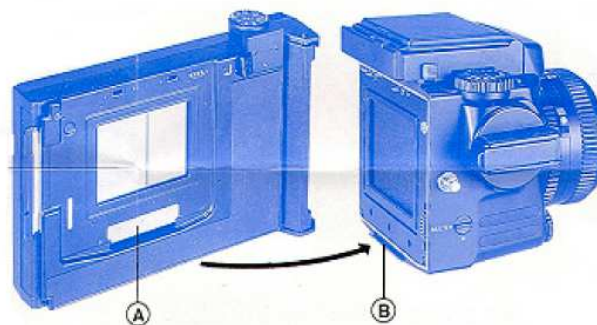
Prior to use, always clean the contacts with soft cloth.

● Note that the Polaroid Pack Film

Holder is not provided with a double exposure prevention mechanism.

● Be sure to use the Tripod Adapter N (optional) when using the Polaroid Pack Film Holder, in as much as the M645 camera with Polaroid Land Pack Film Holder may not fit on certain types of tripods.

● The Neck Strap can not be used when the Power Drive Grip and the Polaroid Pack Film Holder are used at the same time.



How to Use "Polaroid" Pack Film Holder

Loading Film

Always do this in dim light, to avoid fogging the film.

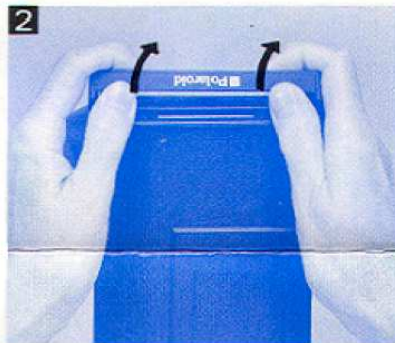
1. Open the package: Handle the film bag carefully and only by the edges. Tear the bag along the dotted line and remove the pack. Discard the moisture-absorbing card packed with some film packs. Please be sure to read the film instruction sheet carefully. Photo **1**

1



2. Unlock and open the holder back: Push up both ends of the back door latch and open the back all the way. Be sure the dark slide is pushed all the way into the holder before loading film. Photo **2**

3. Insert the pack: Hold the film pack by the edges as shown. Push the closed end of the pack under the light



shield, and then down into the holder. Photo **3**

4. Check the white tabs: Be sure that they are not caught between the pack and the holder.

5. Close and lock the back: Hold the back closed and push down on the center of the latch. The black tab of the safety cover must stick out in front of the latch. Photo **4**

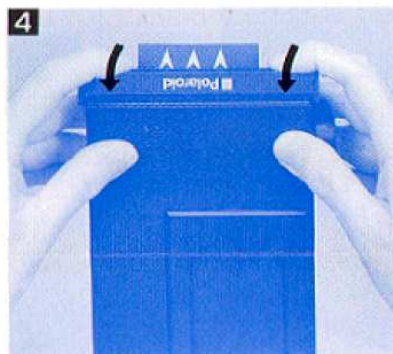
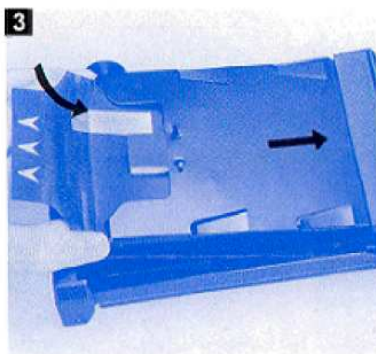
6. Remove the safety cover: Grasp the holder as shown, and get a grip on

the black tab, which is the end of the safety cover. Pull the safety cover all the way out of the holder. Pull straight and be careful not to tear it. Photo **5**

7. Look for the white tab: When the safety cover is removed, a white tab should stick out of the small slot next to the latch. Photo **6**

If you can see a white tab, the holder is now properly loaded.

Don't pull the white tab at this time. Now you're ready to attach the holder



to the camera.

8. Set the film speed dial, found at the top of the holder, to the speed of the film in use.

If no white tab appears when you pull out the safety cover:

Do the following in dim light.

1. Unlock the back of the holder, open it part way and, without disturbing or moving the film pack, push the white tab out into the open.

2. Close and lock the back of the holder, making sure that the white tab is outside and in front of the latch.

Since the holder is now ready for the first exposure, mount it on the camera back as described below.

- Remove the dark slide.
- Before removing a loaded holder, be sure to replace the dark slide.
- **In this case, however, the camera's double exposure prevention mechanism does not work.**

