

FUJIFILM

Value from Innovation

富士フイルム

GX680III/IIIS Professional

文字サイズ

- [Top](#)
- [Features](#)
- [Main Specifications](#)
- [Product appearance](#)
- [lens](#)
- [accessories](#)



Shipping of this product ended in April 2010.

Please note that this page contains information as of April 2010 and may differ from current information.

Please also note that the content of the linked destination may be different or no longer available.

basic information

Compatible with multiple formats. The GX680III is a motor-driven single-lens camera that allows tilt movement.



High-precision motor drive & multi-format that allows you to freely control formats with one unit

Unique film feeding technology that achieves a high level of precision

Precise feeding control for each screen size by attaching a format mask

Equipped with all lens surface and tilt functions. Various expressive power to meet the intentions of professionals.

- [Learn more](#)

Preserve your precious photos beautifully.



With Fuji Color Print, your beauty will last for a long time. Easy to print beautifully at your local Fuji Color store. It's easy to turn your photos into postcards.

- [Learn more](#)



product name	GX680III Professional
Manufacturer's suggested retail price	330,000 yen (tax included price: 346,500 yen)
release date	December 1997
accessories	<ul style="list-style-type: none">• folding finder hood• focusing screen• standard bellows• Front and rear body caps• Lithium batteries (3 pieces)

•



product name	GX680IIIS Professional
Manufacturer's suggested retail price	260,000 yen (tax included price: 273,000 yen)
release date	December 1997
accessories	<ul style="list-style-type: none">• folding finder hood• focusing screen• standard bellows• Front and rear body caps• Lithium batteries (3 pieces)

FUJIFILM

Value from Innovation

富士フイルム

GX680III/IIIS Professional: Features

文字サイズ

- [Top](#)
- [Features](#)
- [Main Specifications](#)
- [Product appearance](#)
- [lens](#)
- [accessories](#)



Compatible with multiple formats. The GX680III is a motor-driven single-lens camera that allows tilt movement.

High-precision motor drive & multi-format that allows you to freely control formats with one unit



If you use the film holder as is, the format will be 6 x 8 cm.

Furthermore, by using a format mask that can be attached with one touch, it is possible to shoot in a total of four formats: 6x7, 6x6, and 6x4.5.

Of course, the camera automatically recognizes the format you are using and automatically sets the number of shots. A single camera greatly expands the scope of professional expression, depending on the shooting purpose and situation, such as product photography, portraits, and location shoots.

[Return to top of page](#)

Unique film feeding technology that achieves a high level of precision

Precise feeding control for each screen size by attaching a format mask



First, by loading the film into the holder, the sensor detects the tip of the tape that joins the film and the light-shielding paper, that is, the starting position of the film, and automatically sets the first frame. The feeding amount for each shooting screen size and screen interval is measured by counting the rotations of an encoder directly connected to the counter roller shaft, and is electronically controlled and fed uniformly and accurately. The feeding amount, which varies depending on the screen size, is automatically set depending on the type of format mask attached (not used in the case of 6x8), so once the film and format mask are on standby, the camera does everything else. The development of multi-format technology is due to the fusion of advanced sensor technology and extremely precise electronic control technology.

*You cannot change the format during shooting.

6 x 8



The 6 x 8 cm format saves space and makes it easy to create pictures. This format is suitable for A and B sizes, which are the most commonly used formats for printing, and has excellent trimming efficiency.

(Number of shots: 120/9 shots 220/18 shots)

6 x 7



6x7cm format, which is close to the aspect ratio of various prints such as six-cut and four-cut. For creating works that are intended to be printed, and for commercial photography such as portraits.

(Number of shots: 120/10 shots 220/20 shots)

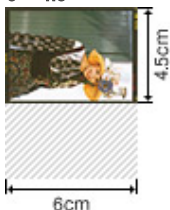
6 x 6



Square 6x6cm format. The 6 x 6 cm format offers a sense of shooting that is not limited by vertical or horizontal positions, and a high degree of freedom in cropping.

(Number of shots: 120/12 images 220/24 images)

6 x 4.5



Perfect for when you need to take a large number of shots, such as on location or for portraits. High-precision film feeding allows for the same number of shots as the 35mm format.

(Number of shots: 120/16 shots 220/32 shots)

[Return to top of page](#)

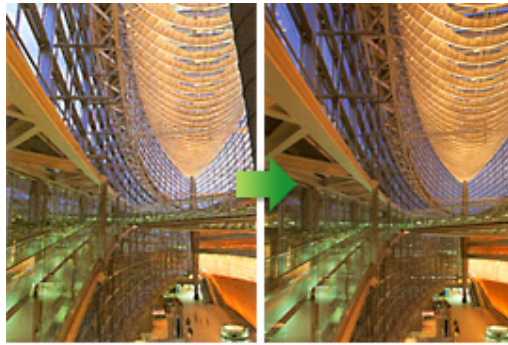
Equipped with all lens surface and tilt functions. Various expressive power to meet the intentions of professionals.



Tilt up and down, swing left and right by 12 degrees each, rise and fall 15mm up and down 13mm, and shift left and right 15mm each. In a variety of situations such as landscapes, portraits, product photography, and food photography, it demonstrates a variety of expressive power that approaches that of a large camera.

*GX680IIIS does not have a tilt mechanism.

Rise/Fall



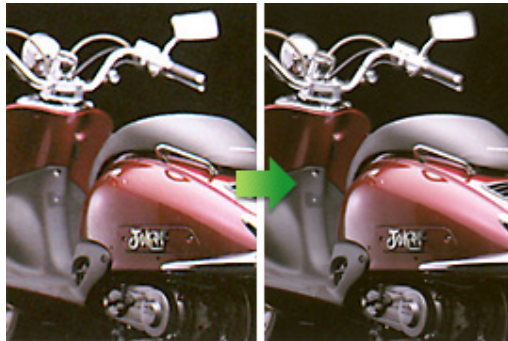
Corrects the difference in perspective caused by the difference in magnification during elevation angle and overhead shooting. For photographing buildings and portraits.

tilt



The depth of field is expanded by tilting the lens surface. Extremely effective for close-up product and food photography.

swing



For product photography that emphasizes impact. Sharp depiction from front to back while emphasizing perspective.

shift

Prevents unnecessary light reflections such as reflections from glass surfaces without changing the framing.

FUJIFILM

Value from Innovation

富士フイルム

GX680III/IIIS Professional: Main specifications

文字サイズ

- [Top](#)
- [Features](#)
- [Main Specifications](#)
- [Product appearance](#)
- [lens](#)
- [accessories](#)

GX680III /
IIIS Professional



format	6x8cm lens shutter type single-lens reflex camera
Film used	120 1/2 roll film (6x8: 4 shots, 6x7: 5 shots, 6x6: 6 shots, 6x4.5: 8 shots) 120 roll film (6x8: 9 shots) , 6x7: 10 shots, 6x6: 12 shots, 6x4.5: 16 shots) 220 roll film (6x8: 18 shots, 6x7: 20 shots, 6x6: 24 For instant film (Photorama FP series and similar photosensitive materials), use a special instant film holder .
Screen size	Multi-format Vertical and horizontal rotating Standard screen: 6 x 8 cm (actual screen size: 56 x 76 mm) Format mask (sold separately) used: 6 x 7 cm (actual screen size: 55 x 69 mm), 6 x 6 cm (actual screen size) : 56 x 56 mm), 6 x 4.5 cm size (actual screen size: 56 x 41.5 mm)
lens	Interchangeable standard lens: EBC Fujinon GX M 135mm 1:5.6 Mount type: Lens board interchangeable Filter diameter: Thread diameter = ϕ 82mm Outer diameter = ϕ 85mm GX M lens has a built-in function to store the total number of shots per lens
finder	SLR style waist level screen, interchangeable focusing screen (standard equipment: micro matte type), folding finder hood as standard equipment (one-touch folding type), built-in focusing loupe (2.5x magnification, diopter -1D standard), focusing Interchangeable loupe (-4, -3, -2, 0, +1, +2, +3), field of view rate 97% (Full field of view in viewfinder: 8 x 8 cm size or larger), Screen position warning board linked to rotation is displayed in the viewfinder (focusing screen compatible with screen size is sold separately)
shutter	#1 Electronically controlled lens shutter B, 8 to 1/400 seconds Aperture adjustment lever and aperture lever included Shutter set and release using the built-in motor of the interchangeable lens
Synchro	X contact: Strobe full speed synchronization (M class bulb cannot be used) Hot shoe (lens pedestal): Equipped with a synchro socket on the main body, with a synchro test button
release	Electromagnetic release dedicated remote release III 1m/5m (sold separately)
mirror	Auto-return type with built-in motor Mirror up: Electromagnetic type with switch for both up and down operations
multiple exposure	Possible in multi mode After multiple exposures, use the film wind button to wind the film one frame.
focus adjustment	Bellows extend by rotating the left and right knobs (with lock lever) Maximum extension amount: 65mm Extension rail (length 40mm, 80mm) can be attached Replaceable bellows (long bellows and wide-angle bellows are sold separately)
Tilt mechanism	Lens surface tilting is possible ((*1) GX680IIIS does not have a tilting mechanism) Shift: 15mm each left and right, Rise: 15mm, Fall: 13mm, Swing: 12° left and right each, Tilt: 12° up and down each (however, port shift, rotation, Depending on the lens, this amount of tilt may not be satisfied when the tilt is combined.
Exposure amount display amount	Over/under exposure warning by film surface reflected illuminance (direct) photometry (ISO100: EV5 to 19) Displayed on main body LCD, when using Remote Release III: Audible warning
film feeding	Automatic feeding without starting mark alignment, motor drive (switchable between S, C, and M modes), last frame warning cover included, automatic winding after shooting, film advance speed of approximately 1 second per frame (at 6 x 8 cm)
LCD display	Power ON/OFF, standby for shooting, battery level display, abnormal exposure warning, camera abnormal operation warning
film counter	Displayed on film holder LCD (forward calculation type)
power supply	3 lithium batteries CR123A, AC power: AC adapter (sold separately), battery holder (sold separately)
others	Large-format lenses can be used with the LF lens board adapter (sold separately) with a spirit level (However, it must be equipped with a Linhoftehnik type board, and when using a large-format lens, mirror-up operation is required)
Body external dimensions	<ul style="list-style-type: none"> Main unit + standard accessories W 188.0xL 222.0xH 213.0mm (main unit, folding finder hood, standard bellows, with finder screen, excluding battery) (*1) W 188.0mmxL 222.0xH 187.0mm

	<ul style="list-style-type: none">• When set W 188.0 x L 274.0 x H 213.0mm (main body + standard accessories, Fujinon GX M135mm, roll film holder III, middle frame III 120 included, excluding battery) (*1) W 188.0 x L 274.0 x H 187.0mm
Mass (weight)	<ul style="list-style-type: none">• Main unit + standard accessories 2,690g (*1) 2,350g• 4,070g (*1) 3,730g when set

- *1 Specifications of GX680IIIS.

FUJIFILM
Value from Innovation

富士フイルム

GX680III/IIIS Professional: Product appearance

文字サイズ

- [Top](#)
- [Features](#)
- [Main Specifications](#)
- [Product appearance](#)
- [lens](#)
- [accessories](#)



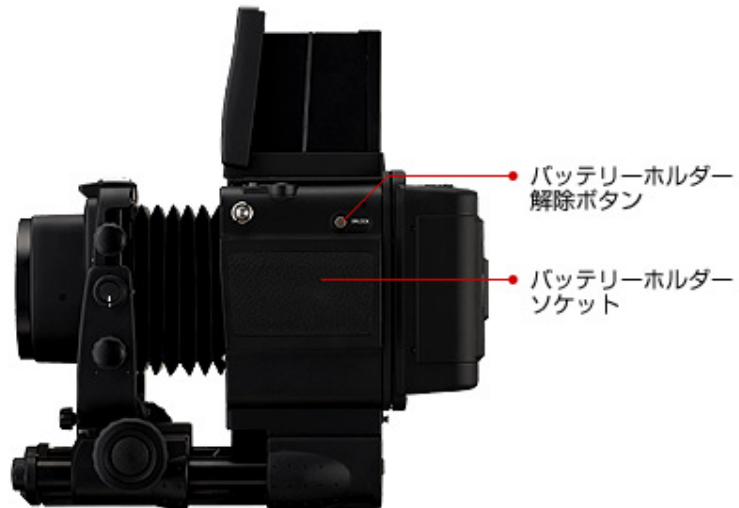
front



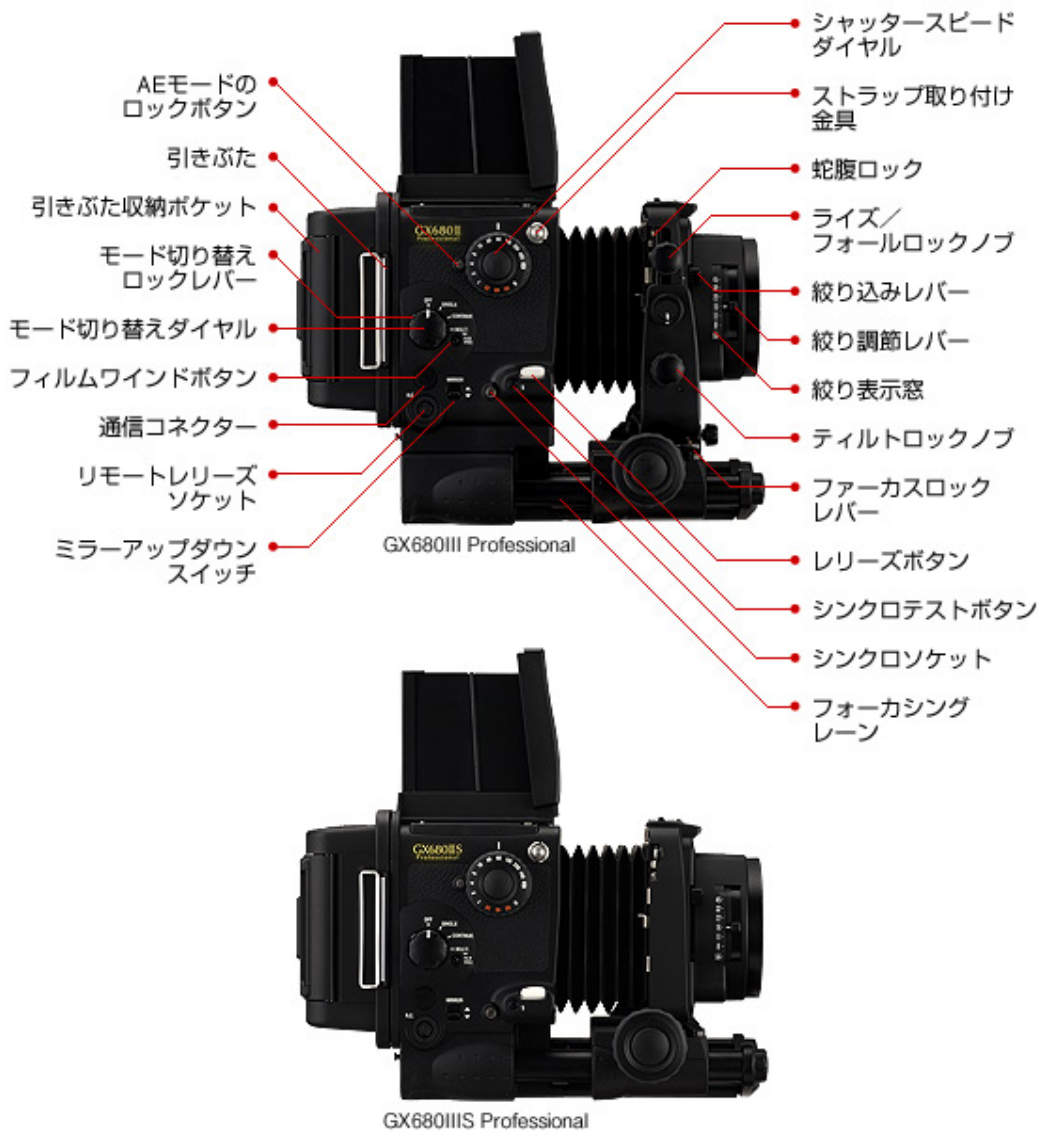
back



right side



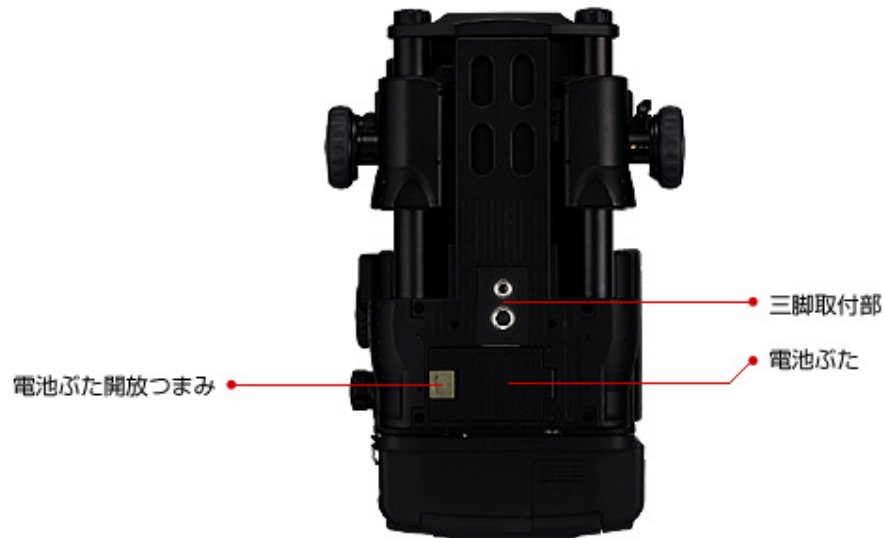
The left side



head



Bottom surface



FUJIFILM
Value from Innovation

富士フイルム

GX680III/IIIS Professional: Product appearance

文字サイズ



- [Top](#)
- [Features](#)
- [Main Specifications](#)
- [Product appearance](#)
- [lens](#)
- [accessories](#)

GX680III /
IIIS Professional



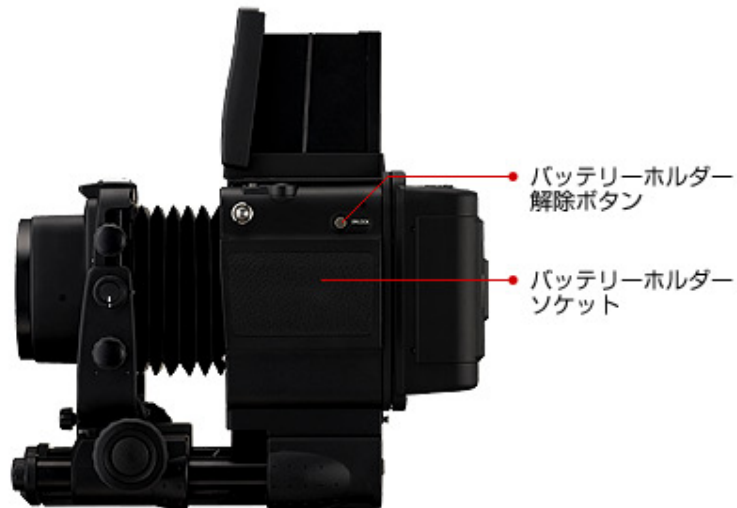
front



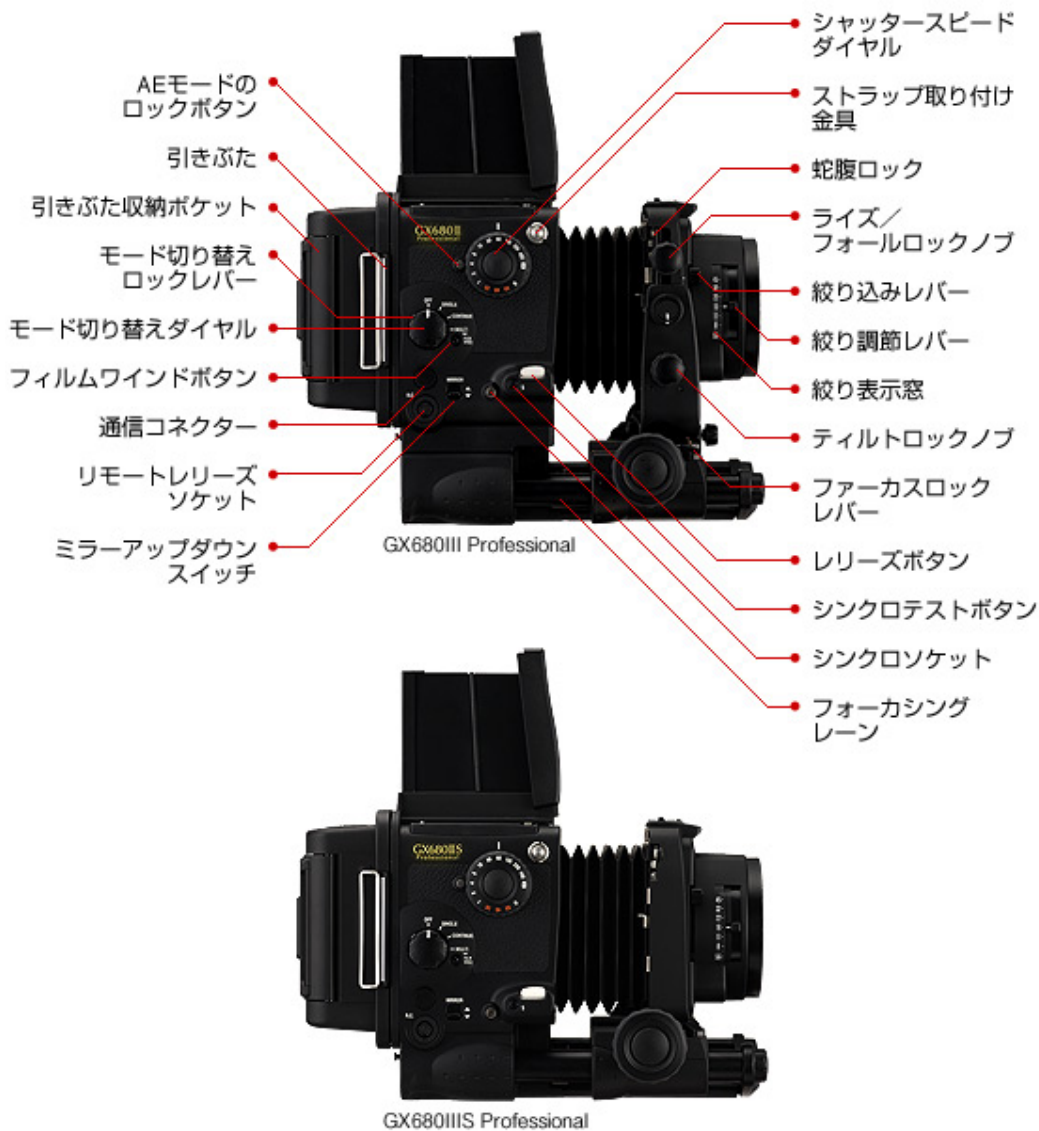
back



right side



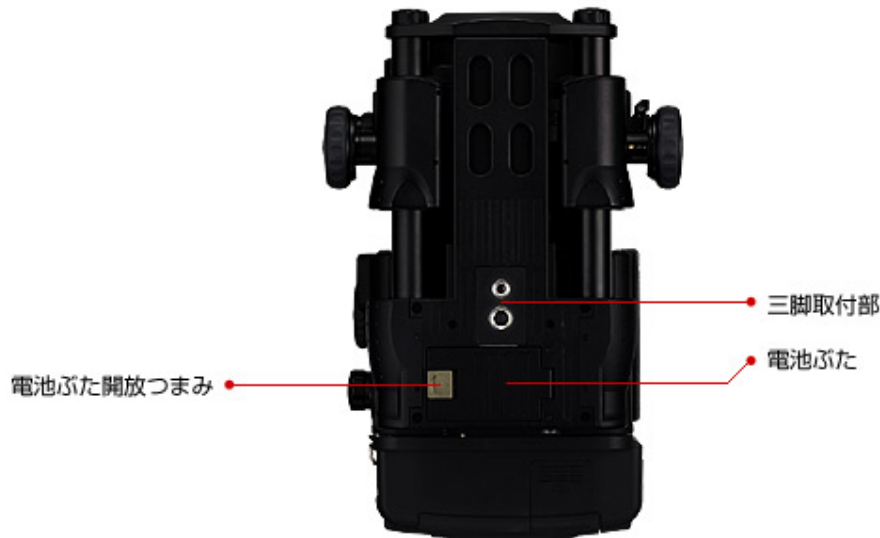
The left side



head



Bottom surface



FUJIFILM
Value from Innovation

富士フイルム

GX680III/IIIS Professional: Accessories

文字サイズ

- [Top](#)
- [Features](#)
- [Main Specifications](#)
- [Product appearance](#)
- [lens](#)
- [accessories](#)



Finder section



- **Angle Finder II**
Manufacturer's suggested retail price: 56,000 yen (tax included price: 58,800 yen)

15 degree viewfinder angle for easy viewing. The brightness is comparable to that of a prism type, and the aperture of the eyepiece is large, greatly reducing shadows caused by the position of the eyes. This is an easy-to-use finder with diopter adjustment.



- **Loupe movable finder**

Manufacturer's suggested retail price: 39,000 yen (tax included price: 40,950 yen)

Outdoor finder that cuts out external light. A movable loupe boasting 4x high magnification. The diopter has a click stop, so once adjusted, the diopter will not move.



- **Focusing Screen B**

Manufacturer's suggested retail price: 5,800 yen (tax included price: 6,090 yen)

Cut a 1cm square grid on a fully matte screen. Effective for shooting that requires horizontal and vertical camera angles.



Focusing screen for 6 × 7, 6 × 6, and 6 × 4.5cm formats. Each screen size can be displayed on a fully matte screen.

- **Focusing Screen 6 × 7cm**
Focusing screen for 6 × 7 format.
- **Focusing Screen 6 × 6cm**
Focusing screen for 6 × 6 format.
- **Focusing Screen 6 × 4.5cm**
Focusing screen for 6 × 4.5cm format.

Manufacturer's suggested retail price: 5,800 yen each (tax included price: 6,090 yen each)



Replacement magnifying glass (2.5x) for folding finder hood. In addition to the standard -1D, -4, -3, -2, 0, +1, +2, and +3 are available.

- **Diopter adjustment lens -4D**
- **Diopter adjustment lens -3D**
- **Diopter adjustment lens -2D**
- **Diopter adjustment lens 0D**
- **Diopter adjustment lens +1D**
- **Diopter adjustment lens +2D**
- **Diopter adjustment lens +3D**

Manufacturer's suggested retail price: 4,500 yen each (tax included price: 4,725 yen each)

Holder part



- **Roll Film Holder III 6 x 8cm N**

Manufacturer's suggested retail price: 100,000 yen (tax included price: 105,000 yen)

Equipped with a roll film holder compatible with the barcode system, a mechanism for automatically setting the first frame with the holder alone, and a mechanism for imprinting data on the film side. Information on each part of the camera can also be displayed on the large backlit LCD.

*Middle frame III120/220 is sold separately.



Masks for 6 × 7, 6 × 6, and 6 × 4.5cm formats. It can be attached to the Roll Film Holder III 6 x 8cm N with one touch, making it possible to shoot on any screen size.

- **Format mask 6 × 7cm**
- **Format mask 6 × 6cm**
- **Format mask 6 × 4.5cm**

Manufacturer's suggested retail price: 7,200 yen each (tax included price: 7,560 yen each)



There are two types, one for 120 and one for 220, and you can use 120/220 rolls properly by simply replacing the middle frame.

- **Middle frame III 120**
- **Middle frame III 220**

Manufacturer's suggested retail price: 16,800 yen each (tax included price: 17,640 yen each)



- **Instant Film Holder II**

Manufacturer's suggested retail price: 39,500 yen (tax included price: 41,475 yen)

You can take pictures in the same shooting mode as roll film. Comes with a manual mask that can be switched between vertical and horizontal positions. Compatible with Photorama FP-100C (color), FP-100B (B/W) and equivalent size instant films.



Format mask exclusively for Instant Film Holder II. In addition to the regular 6 x 8 cm format, it enables speedy instant film shooting in 6 x 4.5 cm, 6 x 6, and 6 x 7 cm formats.

*Cannot be used with the format mask for Roll Film Holder III.

- **Instant format mask 6 × 7cm**
- **Instant format mask 6 × 6cm**
- **Instant format mask 6 × 4.5cm**

Manufacturer's suggested retail price: 7,200 yen each (tax included price: 7,560 yen each)

Focusing/camera front section



- **Bellows Lens Shade II**

Manufacturer's suggested retail price: 41,000 yen (tax included price: 43,050 yen)

Equipped with a seat filter pocket and a filter guide on the front of the shade to attach an effect filter. Commonly used for GX M lenses (100–300mm) and GX MD lenses (115mm, 125mm, 180mm). While checking the viewfinder image, you can cut out harmful light by extending the bellows.

*Includes adapter ring 100 for bellows lens shade II.



- **Bellows lens shade**

Manufacturer's suggested retail price: 38,500 yen (tax included price: 40,425 yen)

Equipped with a seat filter pocket and a filter guide on the front of the shade to attach an effect filter. You can get the hood effect of GX M lens (100–300mm).



- **Bellows lens shade VF**

Manufacturer's suggested retail price: 50,000 yen (tax included price: 52,500 yen)

For GX M 100–200mm lens only. Equipped with a seat filter pocket (with special filter holder) and a filter guide on the front of the shade to attach an effect filter.



- **Long bellows**

Manufacturer's suggested retail price: 8,000 yen (tax included price: 8,400 yen)

Used in combination with an extension rail for close-up photography such as small product photography or copying.



- **Wide-angle bellows (2 peaks)**

Manufacturer's suggested retail price: 8,400 yen (tax included price: 8,820 yen)

A wide-angle bellows that makes full use of the tilt mechanism. Can be used as a regular bellows.



- **Wide-angle bellows L (4 peaks)**

Manufacturer's suggested retail price: 18,000 yen (tax included price: 18,900 yen)

A wide-angle bellows that is convenient for tilting operations when using an extension rail.



- **LF lens board adapter**

Manufacturer's suggested retail price: 27,500 yen (tax included price: 28,875 yen)

Large camera lenses with Linhof Technica type boards can be used.

<Available Fujinon>

Standard specifications: W180, SF180, A180 / When using extension rail: W210, W250, A240, T300

*Similar large camera lenses from other companies can also be used.



- **Lens Hood 80**

Manufacturer's suggested retail price: 10,500 yen (tax included price: 11,025 yen)

Lens hood for wide lens GX M65mm and 80mm. Can be used with GX MD65mm by removing the extension tube.



- **40mm extension rail**

Manufacturer's suggested retail price: 7,700 yen (tax included price: 8,085 yen)

It can be extended by 40mm, and it is possible to shoot at approximately 100% magnification with an f=100mm lens. Requires use in combination with long bellows.



- **80mm extension rail**

Manufacturer's suggested retail price: 11,000 yen (tax included price: 11,550 yen)

It is twice the size of the 40mm extension rail, further expanding the area for close-up shots when photographing products.

battery



- **AC adapter**

Manufacturer's suggested retail price: 28,000 yen (tax included price: 29,400 yen)

Converts AC power to DC power and supplies it to the GX680III/GX680IIIS. AC cord length 250cm, connector cord length 185cm.



- **Battery Holder III**

Manufacturer's suggested retail price: 11,500 yen (tax included price: 12,075 yen)

A battery holder that can be used for shooting with 6 AA alkaline batteries.

*For GX680III/GX680IIIS only. AA NiCd batteries and lithium ionization batteries cannot be used.

others



- **Remote Release III 1m**

Manufacturer's suggested retail price: 13,000 yen (tax included price: 13,650 yen)

For Mamiya, Bronica & Fuji GX680 medium format cameras and accessories go to : www.ianbfoto.com

Grip-type electromagnetic release with book. An electronic buzzer alerts you to abnormal exposure in ± 2 steps immediately after shooting. Cord length 1m.



- **Remote Release III 5m**

Manufacturer's suggested retail price: 17,500 yen (tax included price: 18,375 yen)

Grip type electromagnetic release with book. An electronic buzzer alerts you to abnormal exposure in ± 2 steps immediately after shooting. Cord length 5m.



- **Neck Strap III**

Manufacturer's suggested retail price: 5,200 yen (tax included price: 5,460 yen)

Stabilizes the camera hold when shooting handheld.