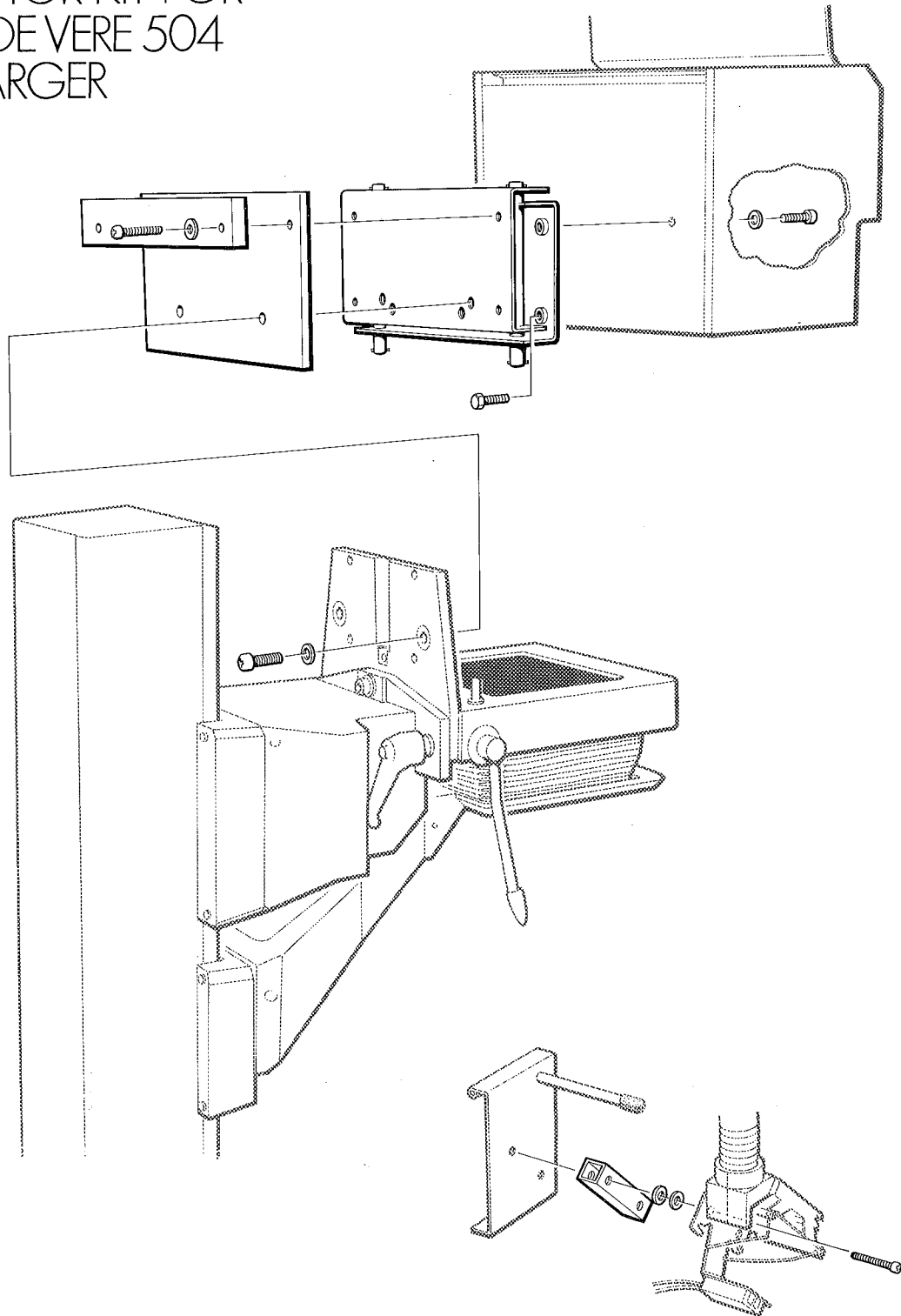


ILFOSPEED MULTIGRADE 500

ADAPTOR KIT FOR
THE DEVERE 504
ENLARGER



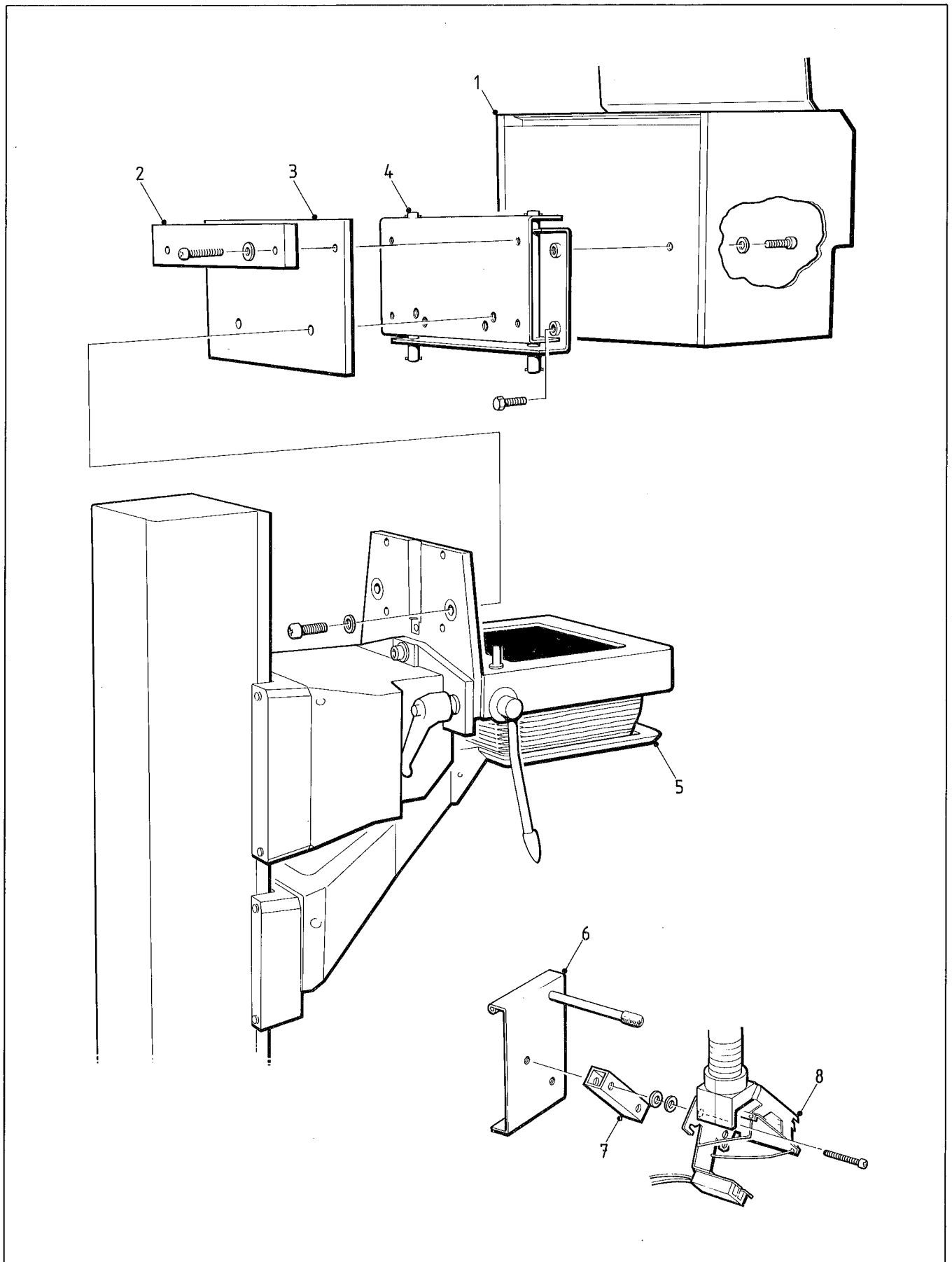


Figure 1.1

1 PRE-INSTALLATION

- 1 ILFOSPEED
MULTIGRADE 500H
enlarger head
- 2 Bar weight
- 3 Packing weight
- 4 Channel assembly
- 5 De Vere 504
chassis - mark 1
- 6 Lampholder slide
- left hand
- 7 Packing block
- 8 Lampholder - left
hand

1.1 Introduction

The adaptor kit (see figure 1.1) enables the ILFOSPEED MULTIGRADE 500H enlarger head to be fitted to the De Vere 504 enlarger. Installation is straightforward provided the instructions in this manual are carefully followed. If you have any problems, please contact your nearest ILFORD selling company, the address of which can be found on the back cover of this manual.

Information regarding the fitting and changing of light mixing boxes is detailed in the ILFOSPEED MULTIGRADE 500 Operating manual, which must be read thoroughly before the equipment is used.

WARNING

To prevent irreparable damage to the equipment, do not use force when carrying out any of the following instructions. Because the lamp slides are free to move, handle the ILFORD ILFOSPEED MULTIGRADE 500H enlarger head with extreme care. Remove the lamps if you feel it is necessary.

1.2 Unpacking

The adaptor kit for the De Vere 504 enlarger consists of the sub-assemblies detailed in table 1.1. Each sub-assembly is packed in a plastic bag, with the part number written on the bag. Please ensure you have all the correct items before proceeding with any of the fitting instructions (see also figure 1.1).

Table 1.1 Adaptor kit

Part no.	Description
6069-2-108	Register plate, 35mm
6069-2-109	Register plate, 6x7cm
6091-3-001	Light mixing box, 35mm
6092-3-001	Light mixing box, 6x7cm
6093-3-001	Light mixing box, 4x5 inches
6100-3-100	Packing weight
6100-3-101	Bar weight
6069-P-002	Packing block sub kit
6100-P-003	Channel assembly sub kit
6100-P-002	Sub kit

The packing block sub kit, part number 6069-P-002, consists of the items detailed in table 1.2.

**Table 1.2 Packing block sub kit
6069-P-002**

Description	Quantity
Packing block	2
Screw, M3x25mm, pan head	4
Washer, M3, plain	8

The channel assembly sub kit, part number 6100-P-003, is supplied as a complete assembly using the items detailed in table 1.3.

**Table 1.3 Channel assembly sub kit
6100-P-003**

Description	Quantity
Adaptor channel	2
Slide rod	2
Pin, 2mm diameter x10mm long	4

The sub kit, part number 6100-P-002, consists of the items detailed in table 1.4.

Table 1.4 Sub kit 6100-P-002

Description	Quantity
Screw, M4x10mm, pan head	2
Washer, M4, plain	4
Screw, M4x20mm, pan head	2
Screw, M6x25mm, pan head	2
Washer, M6, plain	2
Screw, M4x12mm, hexagonal head	2

1.3 Removing the De Vere enlarger head

The De Vere enlarger head is counter balanced to be moved up and down the column with the minimum of effort. Before proceeding, ensure the chassis is positioned at a convenient working height and securely locked onto the column.

WARNING

Never lean over counter balanced enlargers; failure of the locking mechanism could cause injury.

To remove the De Vere enlarger head, proceed as follows (refer also to the manufacturer's literature):

Mark 1 head

- 1 Carefully remove the condensers, if fitted.
- 2 Move the enlarger head lifting lever to the vertical position.
- 3 Release the retaining spring, located at the rear of the head.
- 4 Lift the enlarger head off its locating spigots by moving it first upwards and then forwards.
- 5 Unscrew the four nylon positioning screws until they no longer protrude through the enlarger head mounting plate (remove them if required).
- 6 Remove the two roller mounting studs from the mounting plate, by releasing the retaining nuts. If difficulty is found removing the studs, carefully tap them out using a soft-faced hammer.

Mark 2 head

- 1 Carefully remove the condensers, if fitted.
- 2 Move the enlarger head lifting lever to the vertical position.
- 3 Release the retaining spring, located at the rear of the head.
- 4 Lift the enlarger head off its locating rollers.
- 5 Remove the four locating rollers from the mounting plate by releasing the plastic retaining clips.

()

2

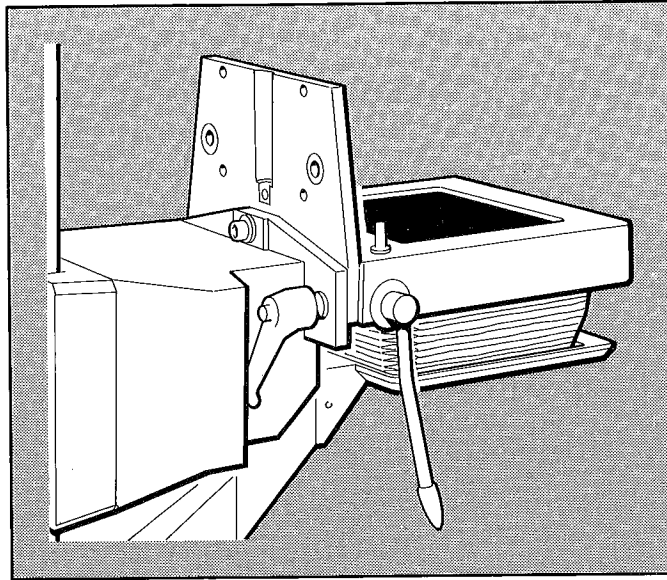
2

()

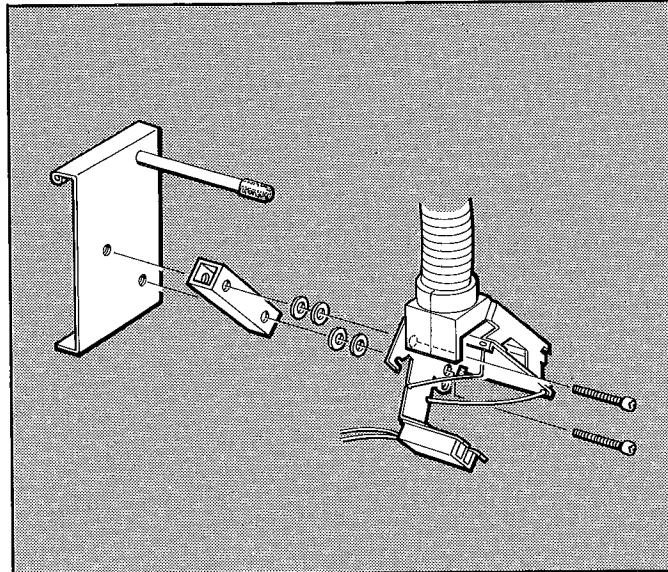
2

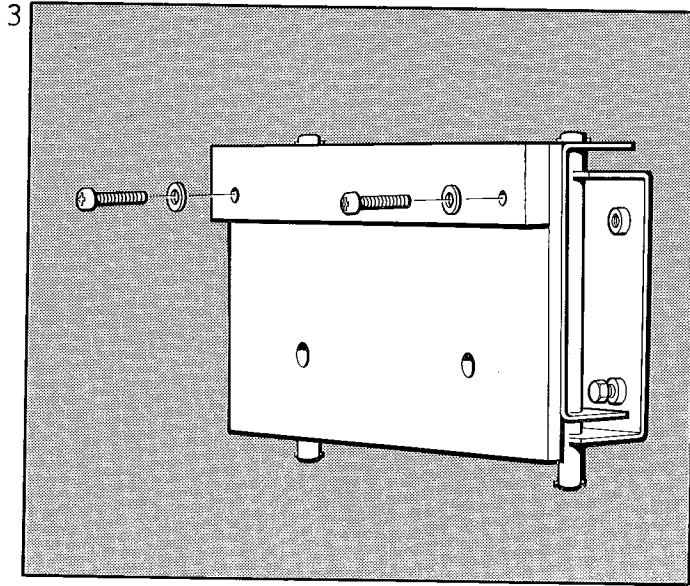
FITTING THE ILFOSPEED MULTIGRADE 500H ENLARGER HEAD

With the De Vere enlarger head removed, the enlarger is ready to accept the ILFOSPEED MULTIGRADE 500H enlarger head.

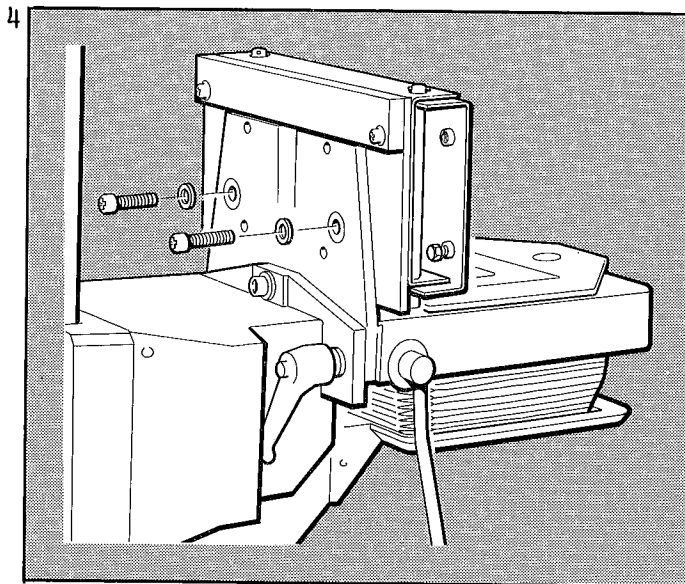


Remove the two lamps and the two screws securing each lampholder to its slide. Re-assemble the left hand lampholder to the slide using the spacer block, and two of the four M3x25mm pan head screws and associated washers as shown. Repeat for the right hand lampholder. Ensure full movement of the lampholders. Refit the lamps.





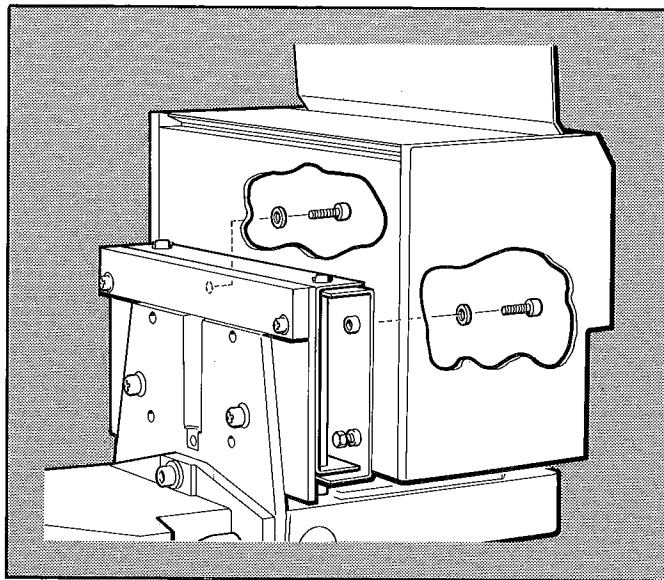
Secure the packing weight and bar weight to the adaptor channel assembly with the two M4x20mm pan head screws and associated washers. Screw in the two M4x12mm hexagonal head screws, as shown, until they are flush with the front face of the adaptor channel assembly.



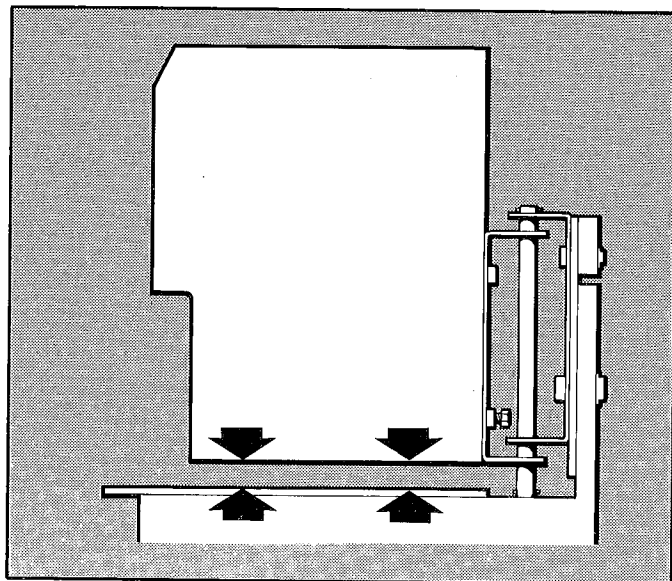
Secure the adaptor channel and weights assembly to the enlarger mounting plate with the two M6x25mm pan head screws and associated washers.

Position the negative carrier on the chassis. Ensure the enlarger head lifting lever is in its lowered position.

Stand the enlarger head on the negative carrier. Raise the front cover and move both lamps towards each other to expose the two fixing holes in the rear panel. Push out the blanking plugs. Secure the enlarger head to the adaptor channel with the two M4x10mm pan head screws and associated washers. Leave the screws about one turn loose.



Raise the enlarger head using the lifting lever. View the head from the side and adjust the two M4x12mm hexagonal head screws by equal amounts until the base of the head is parallel to the negative carrier. Moderately tighten the head securing screws (operation 5).



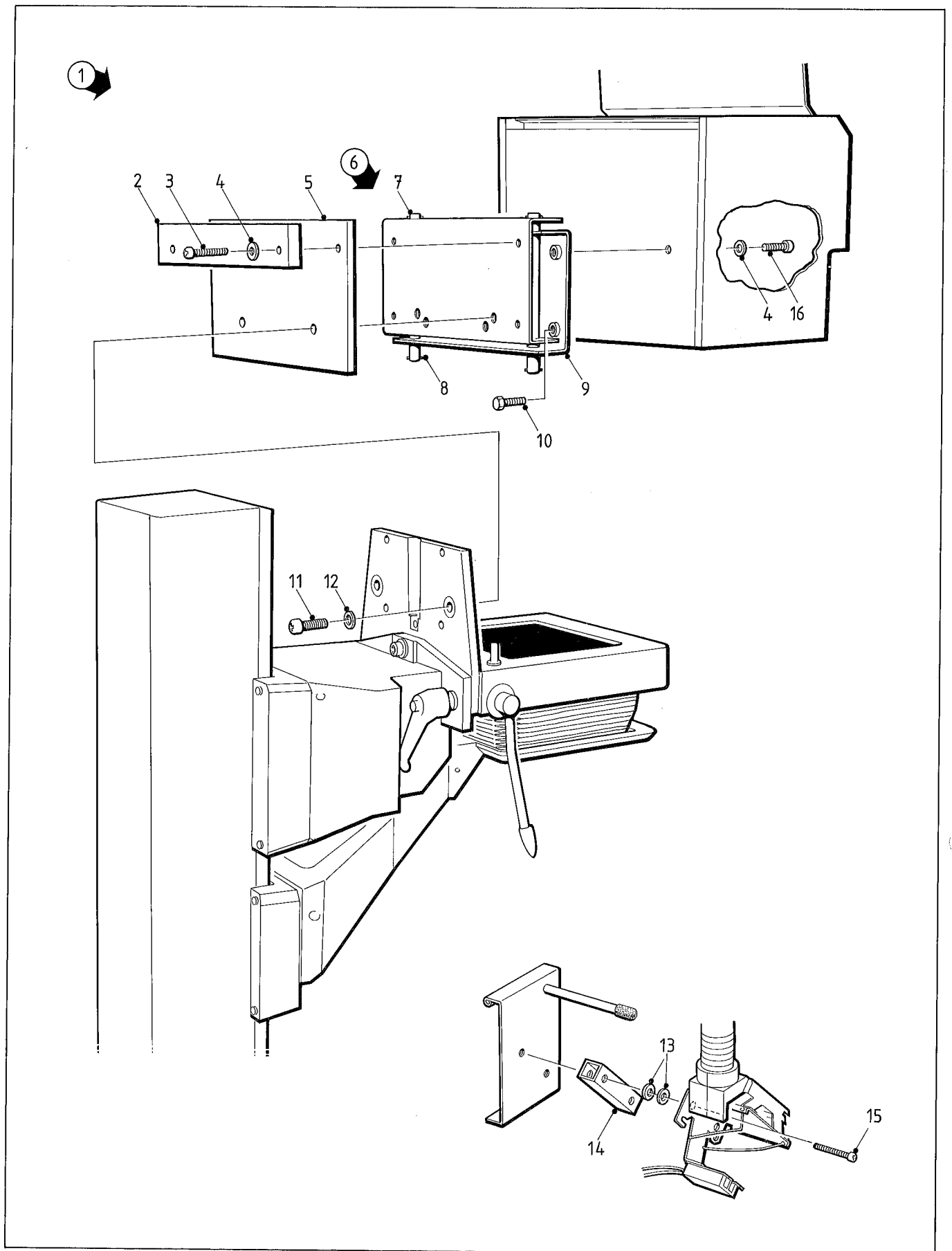


Figure 3.1

3 PARTS LIST

Figure 3.1 and the following table detail all spare parts that are available. When ordering spare parts, please quote the part number in order that ILFORD Limited may process your order quickly and efficiently.

Ref no. on figure 3.1	Part no.	Description	Quantity
1	6100-P-001	Adaptor kit, complete	
2	6100-3-101	Bar weight	1
3	87989775	Screw, M4x20mm, pan head	2
4	89730454	Washer, M4, plain	4
5	6100-3-100	Packing weight	1
6	6100-P-003	Adaptor channel assembly	1
7	6099-4-101	Slide rod	2
8	87997605	Pin, 2mm diameter x10mm	4
9	6099-1-100	Adaptor channel	2
10	87989319	Screw, M4x12mm, hexagonal head	2
11	87989804	Screw, M6x25mm, pan head	2
12	89730456	Washer, M6, plain	2
13	89730453	Washer, M3, plain	8
14	6069-4-110	Packing block	2
15	87989749	Screw, M3x25mm, pan head	4
16	87989772	Screw, M4x10mm, pan head	2
17+	6069-2-108	Register plate, 35mm	1
18+	6069-2-109	Register plate, 6x7cm	1
19+	6091-3-001	Light mixing box, 35mm, 4mm drop	1
20+	6092-3-001	Light mixing box, 6x7cm, 4mm drop	1
21+	6093-3-001	Light mixing box, 4x5 inches, 3mm drop	1

+ items not illustrated.