

## Fisheye Mamiya-Sekor z 37mm f/4.5 for Mamiya RZ67

The Mamiya-Sekor 37mm f/4.5 Fisheye Lens has a diagonal angle of view of 180° and is ideal for interiors, panoramic scenics, and creative imagery. Because it is a fisheye lens of the "equidistance projection system" type with no shrinkage of the image at the edges.

### Specifications:

Focal length: 37mm

Construction: 9 elements, 6 groups

Angle of view: 180°

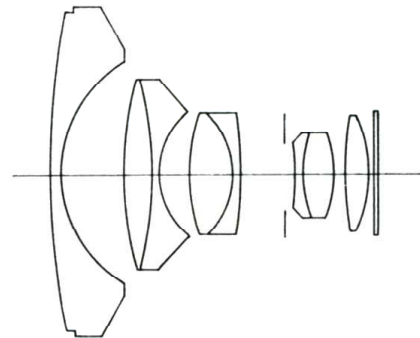
Aperture range: f/4.5 — 32

Lens hood: None required

Filter size: 40.5mm (4 filters included)

Weight: 2.8 lbs. (1280g)

Other specifications and operating methods are the same as the standard lens, except the following filter operation.



### Attaching Filters

The Mamiya-Sekor 37mm f/4.5 Fisheye lens is designed to accept 40.5mm screw-in filters in the rear of the lens. A UV filter is preattached to the lens, and three other filters (Y48, R60, LB-A) are in the filter case.

As the lens is designed to be used with a filter always in place, be sure to attach any one filter to the lens.



### The Effects of the Filters Accompanying the Lens

**UV30** Filter factor of 1X (no increase in exposure necessary).

**This filter can be used for both color and black and white photography.**

It is especially useful when photographing scenics such as the seaside or mountains as it absorbs ultraviolet rays which obscure the background and give it a bluish cast.

**Y48 (Y2)** Filter factor of 2X (open up one stop).

A contrast filter for black and white film. As it absorbs blue, as well as ultraviolet, light rays, it is ideal for eliminating a "bald-sky". Because of the added contrast, buildings and scenics stand out dramatically against the blue sky.

**R60 (deep red)** Filter factor of 6X (open up 2 1/2 stops).

A contrast filter useful for creating dramatic effects with black and white film. Blue and green appear nearly black, while red and orange appear almost white. At times, day scenes appear as if taken at night. This filter is also indispensable when using infrared film.

**LB-A (color conversion)** Filter factor 1.5X (open up 1/2 stop).

This is a color conversion filter used with daylight type color film under cloudy or rainy skies. It helps by removing the excess blue normally appearing on such occasions, thereby rendering the scene more pleasing.

### Note:

When using a finder which is built-in an exposure meter with the camera there is no need to make any exposure compensation.

  
**Mamiya**  
CAMERA CO., LTD.