

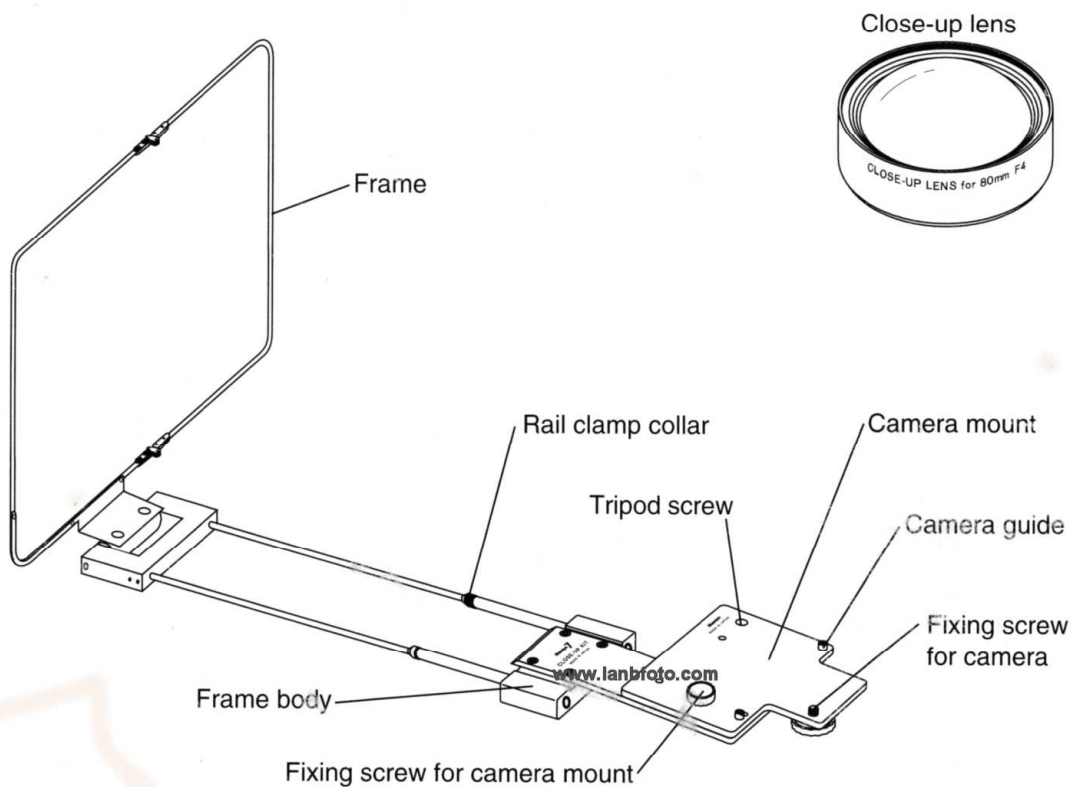
Mamiya

Mamiya Close-up Kit

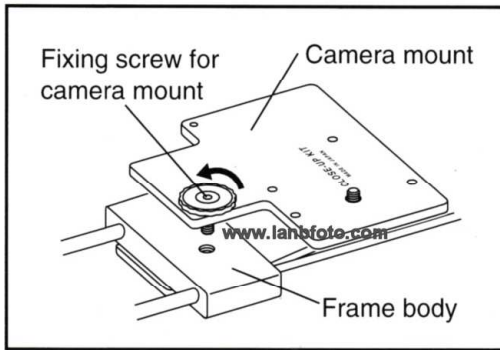
Instructions

Thank you very much for your purchase of the Mamiya 7 Close-up Kit. This kit is to be used when photographing with standard 80mm F4L lens. As the photographed area and focus point are fixed, and a large and easy-to-see frame is included, you can enjoy speedy close-up photography.

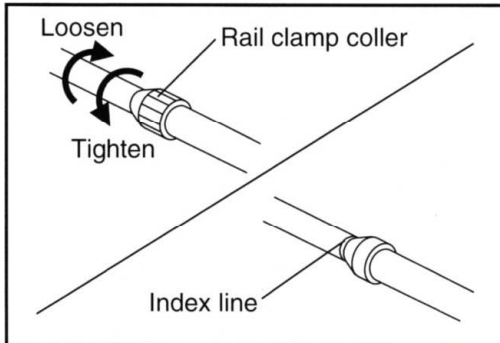
Parts Description



Preparation For Frame Mount



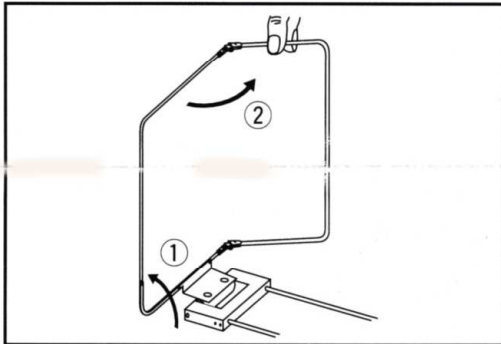
1. Remove the camera mount from the frame body.



2. Loosen the rail clamp collar and extend the rail.

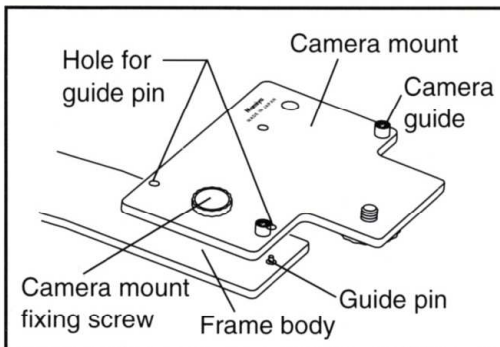
★ Extend the rail of the frame body until it stops and confirm that silver colored index line is seen. This position is the coincident range of the focus point.

3. After setting the rail of the frame body, tighten fix the rail clamp collar.



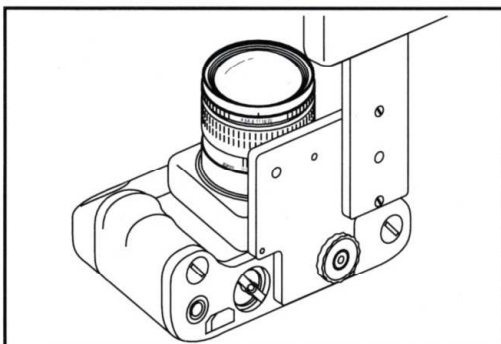
4. Pull up the frame while holding its corner and unfold it gently.

★ CAUTION: Handle carefully until it is completely unfolded.



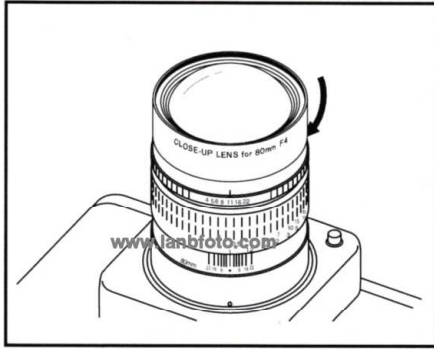
5. Set the camera mount according to the guide pin of the frame body and fix.

How To Set Camera



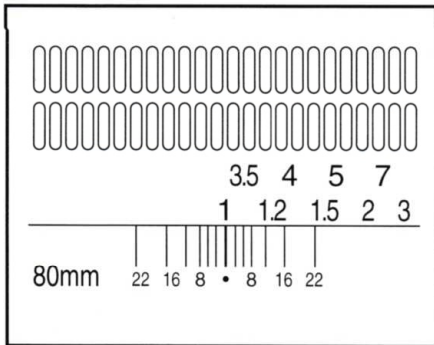
1. Set the camera at the position where 2 camera guides on the camera mount align with the camera.

★ If camera guides do not touch the camera, it is out of focus.

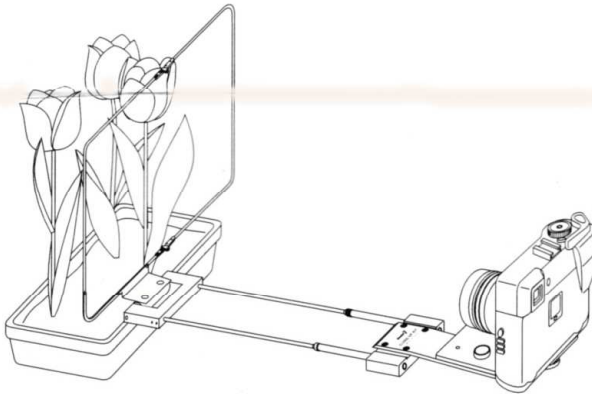


- Screw the close-up lens into the threaded filter ring of the standard 80mm F4L lens.

How To Photograph



- Turn the distance ring until it comes to the minimum distance (1 m) and then photograph .



- ★ Focal point is the top end of the frame (the farthest side from the lens).
- ★ Photographed area is covered by the frame.
- ★ As the depth of field is narrow because of close-up photography, stop down the lens as much as possible and then photograph.
- ★ When photographing printed matter, use of a small aperture from f/11 to f/22 is recommended.
- ★ If the frame casts its shadow on the subject, fold the frame down, or remove the frame base, and photograph. (Especially note shadows when photographing under bright sunlight or with strobe flash.)

Specifications

Composition of lens : 2 elements
 Filterthread : ϕ 58
 Outer diameter of lens : ϕ 60
 Composition of kit : Lens , front cap: (ϕ 58), rear cap: (ϕ 60), frame, frame rail, camera mount.
 Photographing range : 27.5 cm from the top end of close-up lens frame.
 Focal point is 41cm from the film plane.
 When using N80mm lens, turn out to its limit (1m side.)

Magnification : 0.32x
 Exposure factor : 1.0
 Weight : 640g w/case

Depth-of-field table

From film plane to subject

Aperture	4	5.6	8	11	16	22
Distance (cm)	41.3	41.4	41.6	41.8	42.2	42.7
	40.7	40.6	40.4	40.2	39.9	39.5